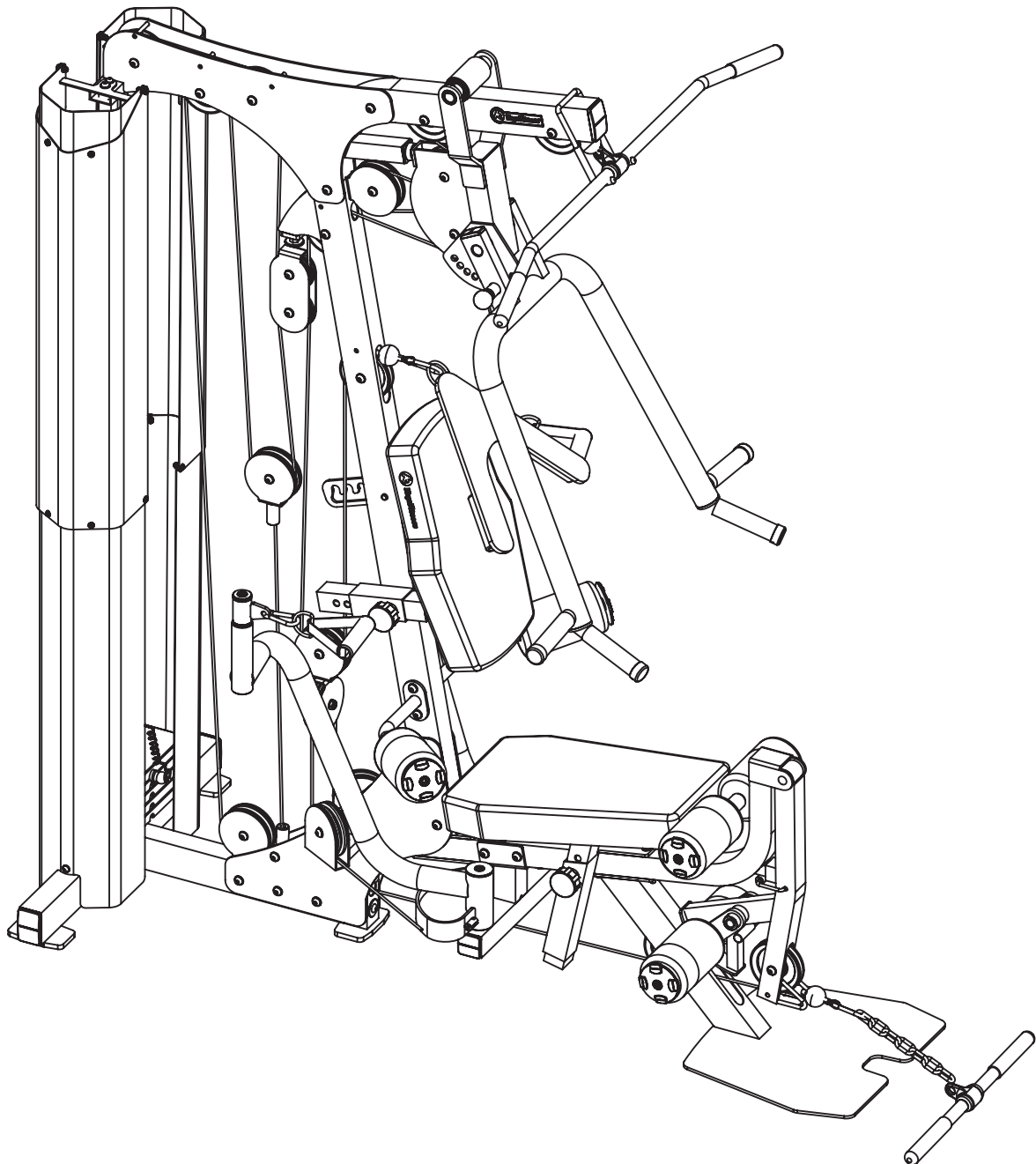




KeysFitness®

Owner's Manual

KF-1860



215-00116
10/06 Rev A



KeysFitness

Before You Start	3
Important Safety Information	4
Assembly	5-26
Weight Ratios	27
Weight Stack Sticker Placement	28
Cable View	29
Top View	30
Exploded View	31
Parts List	32
Warranty Information	33

Before You Start



KeysFitness

THANK YOU for making this unit a part of your exercise program. Keys Fitness assures the very best in value, appearance, durability and biomechanics.

This manual will guide you through the assembly process. If at any time you are having trouble with the assembly or use of this product, then please contact us at our Keys Fitness Helpline. We have trained service technicians on site to take care of you, our valued customer.

REGISTRATION CARD

To avoid unnecessary delays in warranty parts and to insure that a permanent record of your purchase is on file with our company, be sure to send in the warranty registration card or register on-line at www.keysfitness.com within 10 days of purchase.

KEYS FITNESS SERIES

QUESTIONS?

CALL

1-888-380-0482

Monday-Friday

8:30-5:30 Central Time

When calling please have the following product information available:

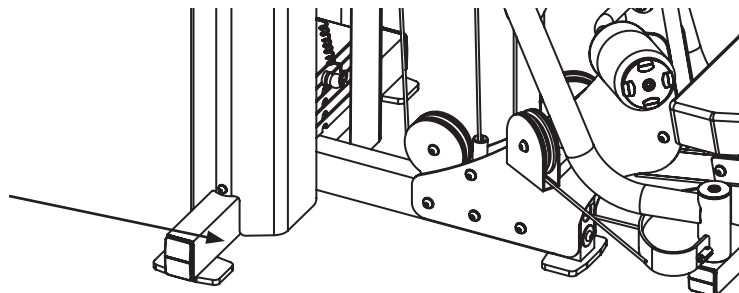
Model Name :

Serial #:

Manufactured Date :

PO # :

Model Name Decal Location



Prior to assembly, remove components from the box and verify that all the listed parts were supplied.

NOTE: Hand tighten bolts and nylon nuts until machine is fully assembled.

! CAUTION

Read all precautions and instructions in this manual before using this equipment.

WARNING!

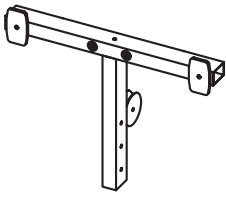
Before using this unit or starting any exercise program, consult your physician. This is especially important for persons over the age of 35 and/or persons with pre-existing health problems. Keys Fitness Products LP assumes no responsibility for personal injury or property damage sustained by or through the use of this product.

It is the owner's responsibility to ensure that all users of this unit have read the Owner's Manual and are familiar with safety information and precautions.

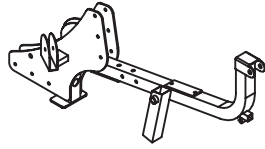
SAFETY PRECAUTIONS

- This unit should only be used on a level surface and is intended for indoor use only. Keys Fitness recommends an equipment mat be placed under the unit to protect the floor or carpet and for easier cleaning.
- Wear comfortable, good-quality walking or running shoes and appropriate clothing. Do not use this unit with bare feet, sandals, socks or stockings!
- Always examine your unit before using to ensure all parts are in working order.
- Do not leave children unsupervised near or on the unit.
- Service to your unit should only be performed by an authorized service representative, unless authorized and/or instructed by a Keys Fitness technician. Failure to follow these instructions will void the warranty.

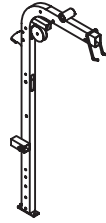
Box 1



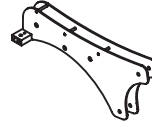
[1#] 1pc



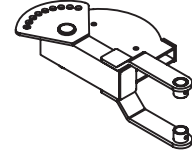
[2#] 1pc



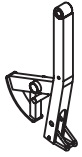
[3#] 1pc



[4#] 1pc



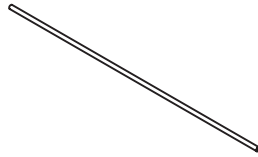
[5#] 1pc



[10#] 1pc



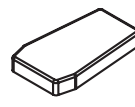
[13#] 1pc



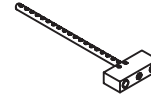
[24#] 2pcS



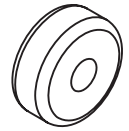
[25#] 1pc



[26#] 1pc



[27#] 1pc



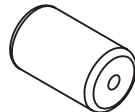
[30#] 2pcS



[31#] 1pc



[33#] 7pcS



[42#] 6pcS



[44#] 18pcS



[45#] 1pc



[46#] 1pc



[47#] 1pc



[49#] 1pc



[52#] 2pcS



[53#] 10pcS



[54#] 2pcS



[55#] 8pcS



[56#] 4pcS



[58#] 2pcS



[59#] 2pcS



[60#] 2pcS



[131#] 2pcS



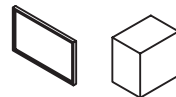
[61#] 1pc



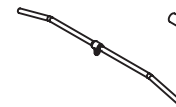
[63#] 4pcS



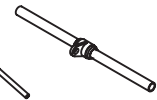
[66#] 1pc



[68#] 3pcS



[69#] 1pc



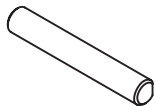
[70#] 1pc



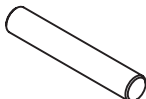
[71#] 1pc



[72#] 1pc



[73#] 1pc



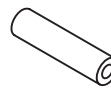
[74#] 1pc



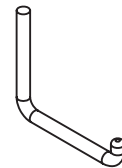
[75#] 1pc



[76#] 2pcS



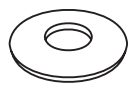
[80#] 1pc



[81#] 1pc



[82#] 1pc



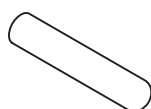
[87#] 2pcS



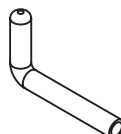
[109#] 1pc



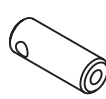
[110#] 1pc



[111#] 4pcS



[112#] 3pcS



[113#] 1pc



[114#] 1pc

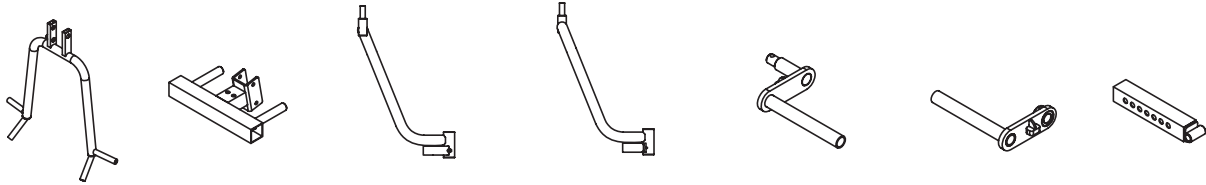


[116#] 1pc

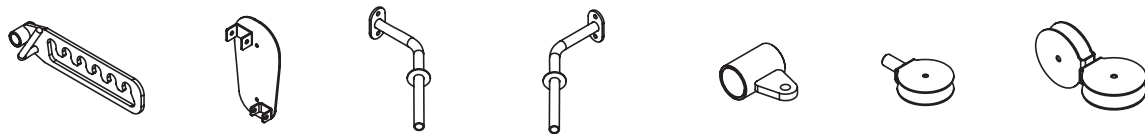


[120#] 2pcS

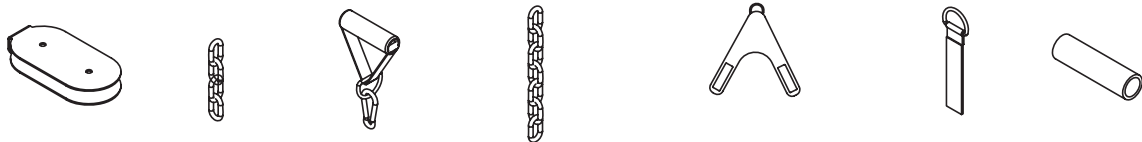
Box 2



[6#] 1pc [7#] 1pc [8#] 1pc [9#] 1pc [11#] 1pc [12#] 1pc [14#] 1pc



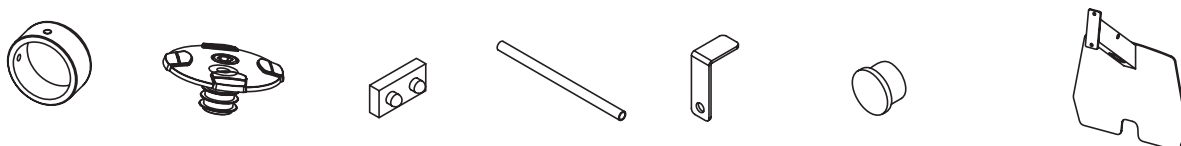
[15#] 1pc [16#] 1pc [17#] 1pc [18#] 1pc [19#] 2pcS [21#] 1pc [22#] 1pc



[23#] 1pc [32#] 1pc [34#] 2pcS [35#] 1pc [40#] 1pc [41#] 1pc [43#] 4pcS

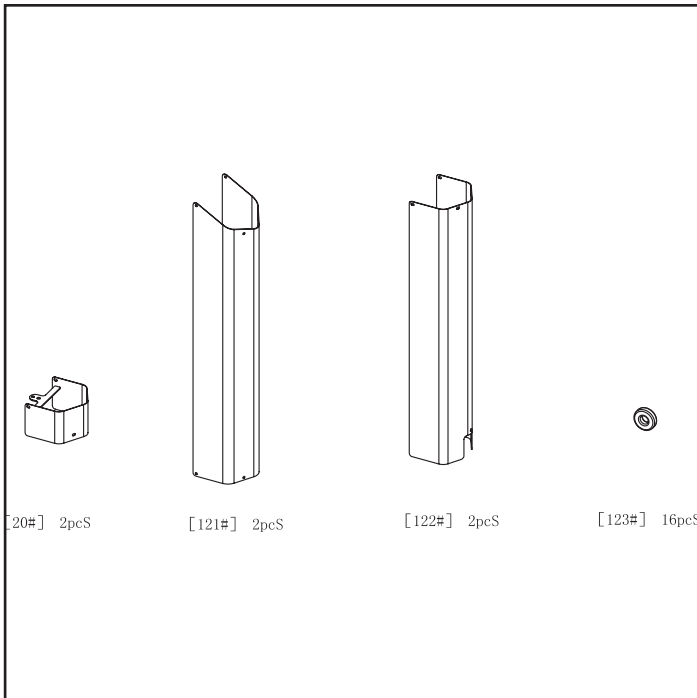


[50#] 1pc [56#] 4pcS [57#] 4pcS [58#] 4pcS [60#] 2pcS [61#] 1pc [62#] 2pcS

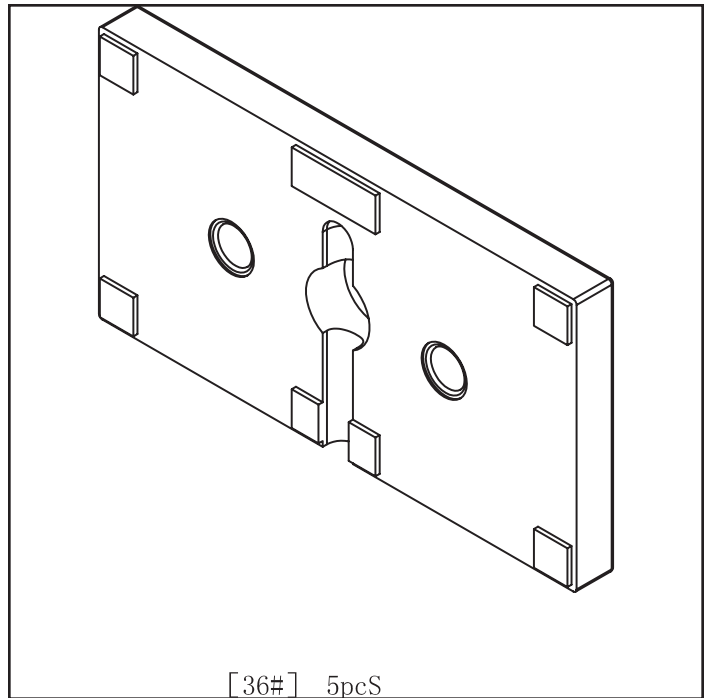


[64#] 4pcS [65#] 6pcS [67#] 1pc [77#] 1pc [78#] 1pc [79#] 2pcS [86#] 1pc

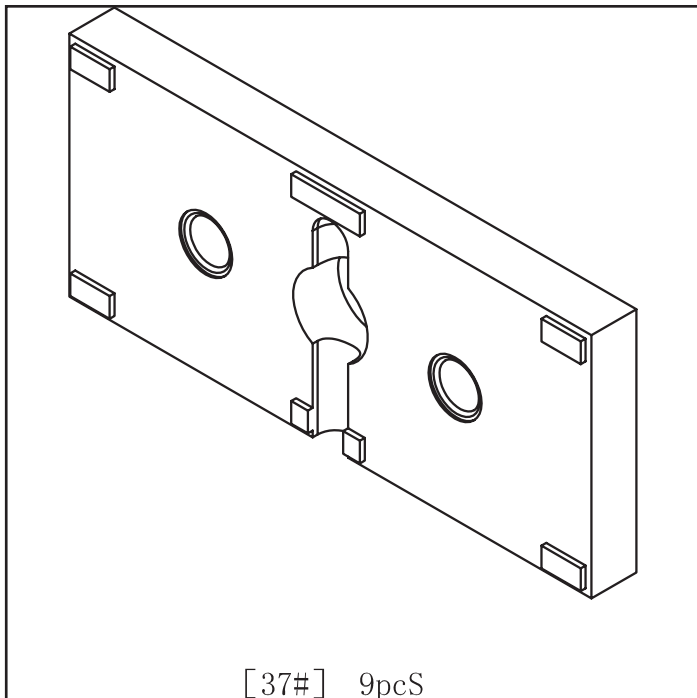
Box 3



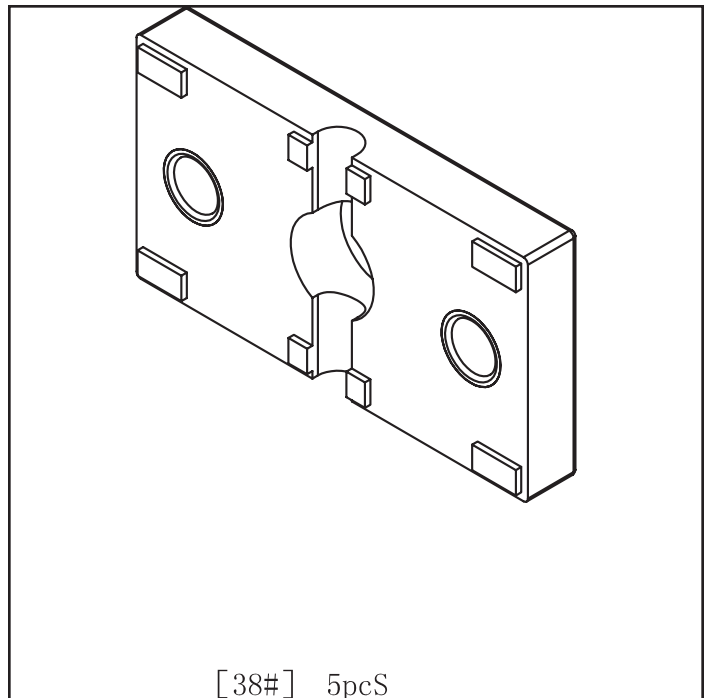
Box 4

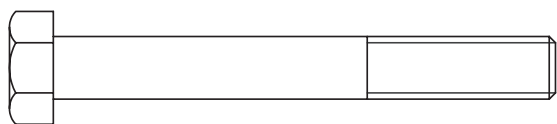


Box 5

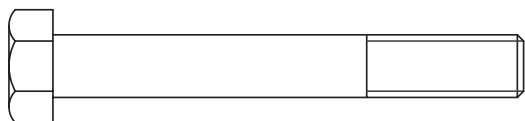


Box 6

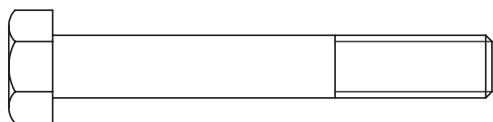




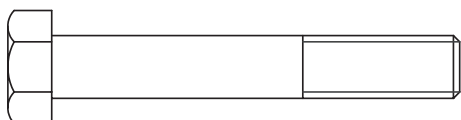
[95#] M10*80 8pcs



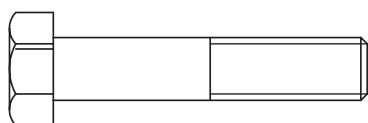
[94#] M10*75 9pcs



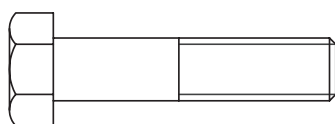
[93#] M10*70 5pcs



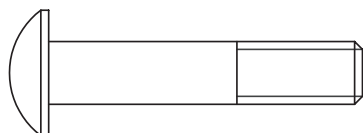
[92#] M10*65 1pc



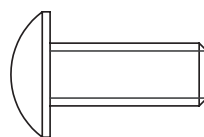
[90#] M10*50 2pcs



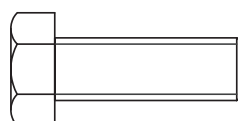
[91#] M10*45 9pcs



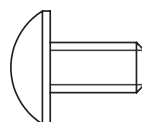
[96#] M10*50 2pcs



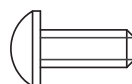
[97#] M10*25 8pcs



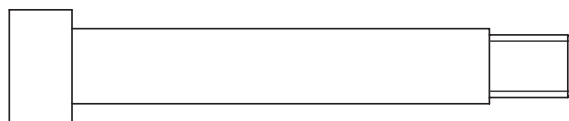
[89#] M10*30 2pcs



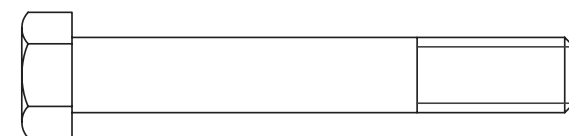
[118#] M8*15 5pcs



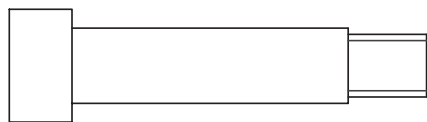
[108#] M6*15 2pcs



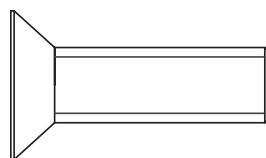
[99#] 12.2 * 91.5 1pc



[98#] M12*80 4pc



[88#] \varnothing 12.2 * 69 1pc



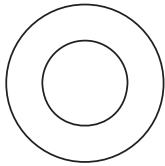
[28#] M12*35 1pc



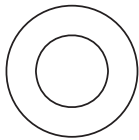
[85#] M4*20 2pcs



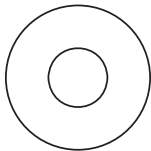
[84#] M8*6 5pcs



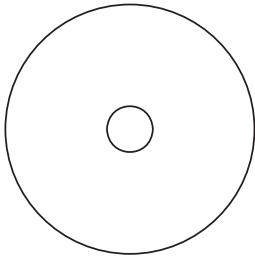
[101#] $\varnothing 24 * \varnothing 13 * 1.5$ 7pcs



[102#] $\varnothing 20 * \varnothing 11 * 2$ 78pcs



[119#] $\varnothing 22 * \varnothing 9 * 2$ 3pcs



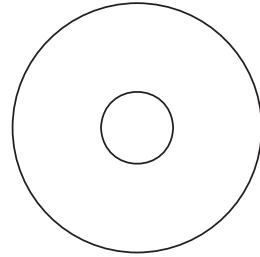
[48#] $\varnothing 7 * \varnothing 38 * 3$ 1pc



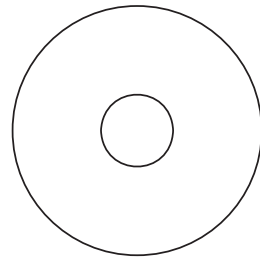
[51#] $\varnothing 9.3 * \varnothing 6.1 * 1.6$ 1pc



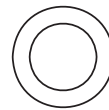
[125#] $\varnothing 6.6 * \varnothing 12 * 1.6$ 32pc



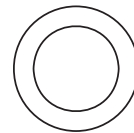
[106#] $\varnothing 38 * \varnothing 11 * 2$ 2pcs



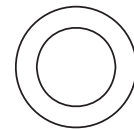
[107#] $\varnothing 38 * \varnothing 11 * 2$ 2pc



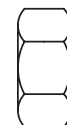
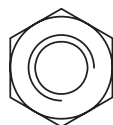
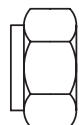
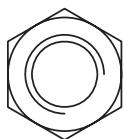
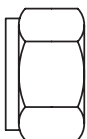
[103#] $\varnothing 15.4 * \varnothing 10.2 * 2.6$ 10pcs



[117#] $\varnothing 18.4 * \varnothing 12.2 * 3.1$ 1pc



[115#] $\varnothing 12.3 * \varnothing 8.1 * 2.1$ 1pc



[105#] M12 3pcs

[104#] M10 35pcs

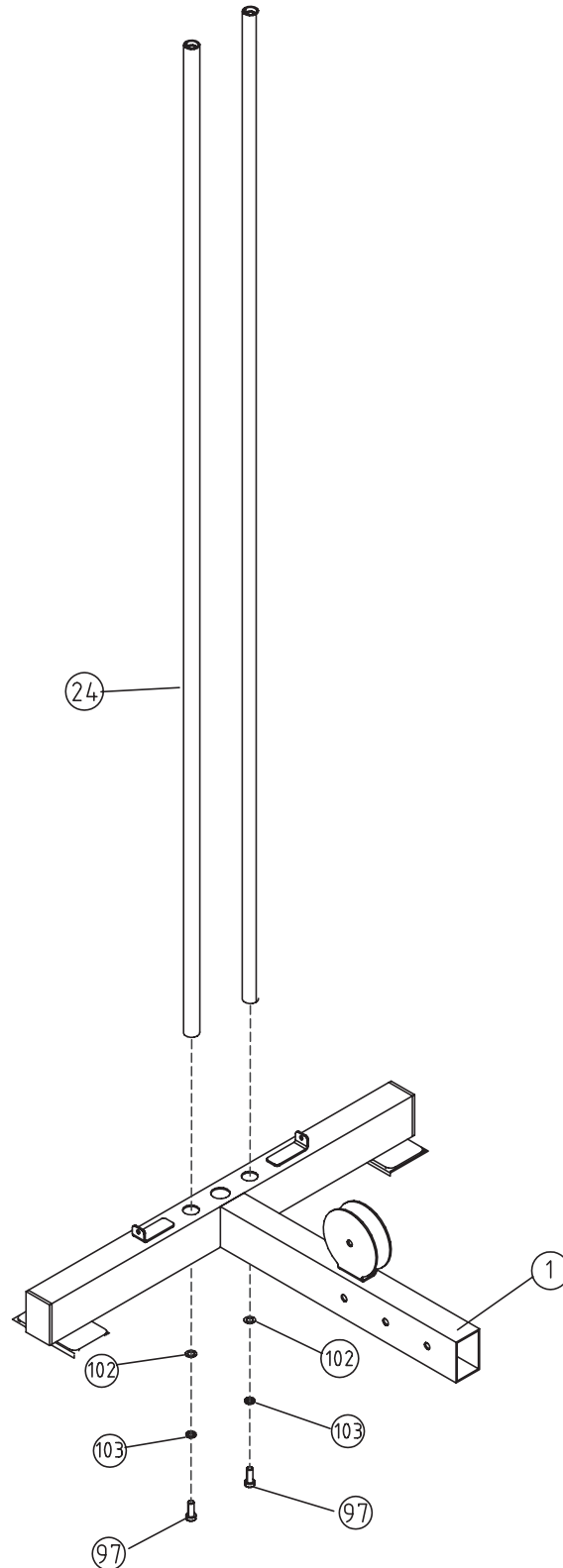
[83#] M6 17pc

[100#] M10 1pc

STEP 1

Insert the two Guide Rods (24) into Rear Base (1) and secure them in place using two Washers (102), two Spring Washers (103), and two Allen Bolts (97).

Figure 1



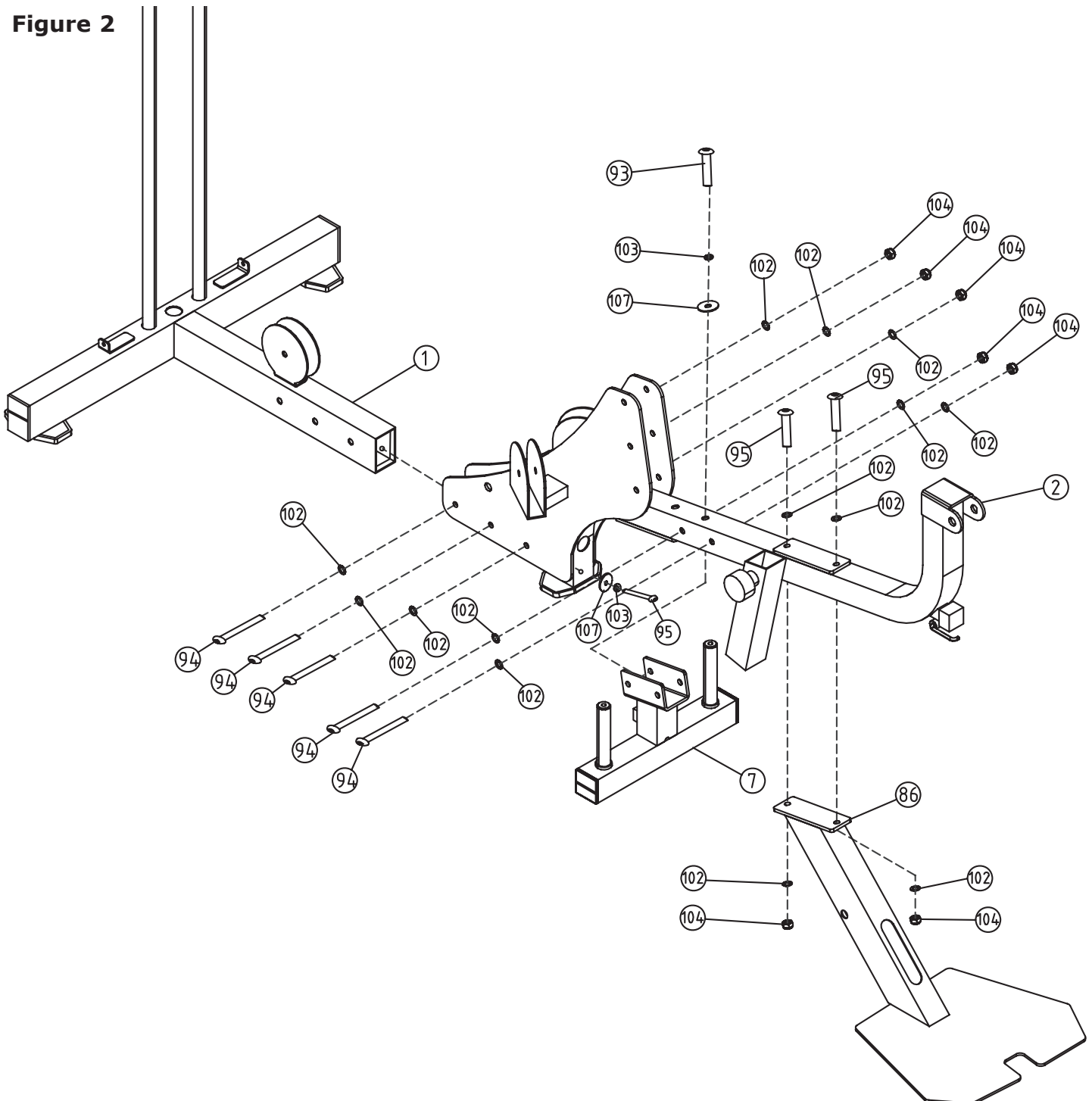
STEP 2

Attach the Seat Pad Support Receptacle (2) to Rear Base (1) and secure in place using three Nylon Locknuts (104), six Washers (102), and three Bolts (94).

Connect the Front Upright (86) to Seat Pad Support Receptacle (2) and secure together using two Nylon Locknuts (104), four Washers (102), and two Bolts (95).

Insert the Pec Dec Mount (7) onto Seat Pad Support Receptacle (2) using two Nylon Locknuts (104), four Washers (102), and two Bolts (94) on the side. Next, insert one Washer (107), one Spring Washer (103), and one Bolt (93) through the top of the Seat Pad Receptacle (2).

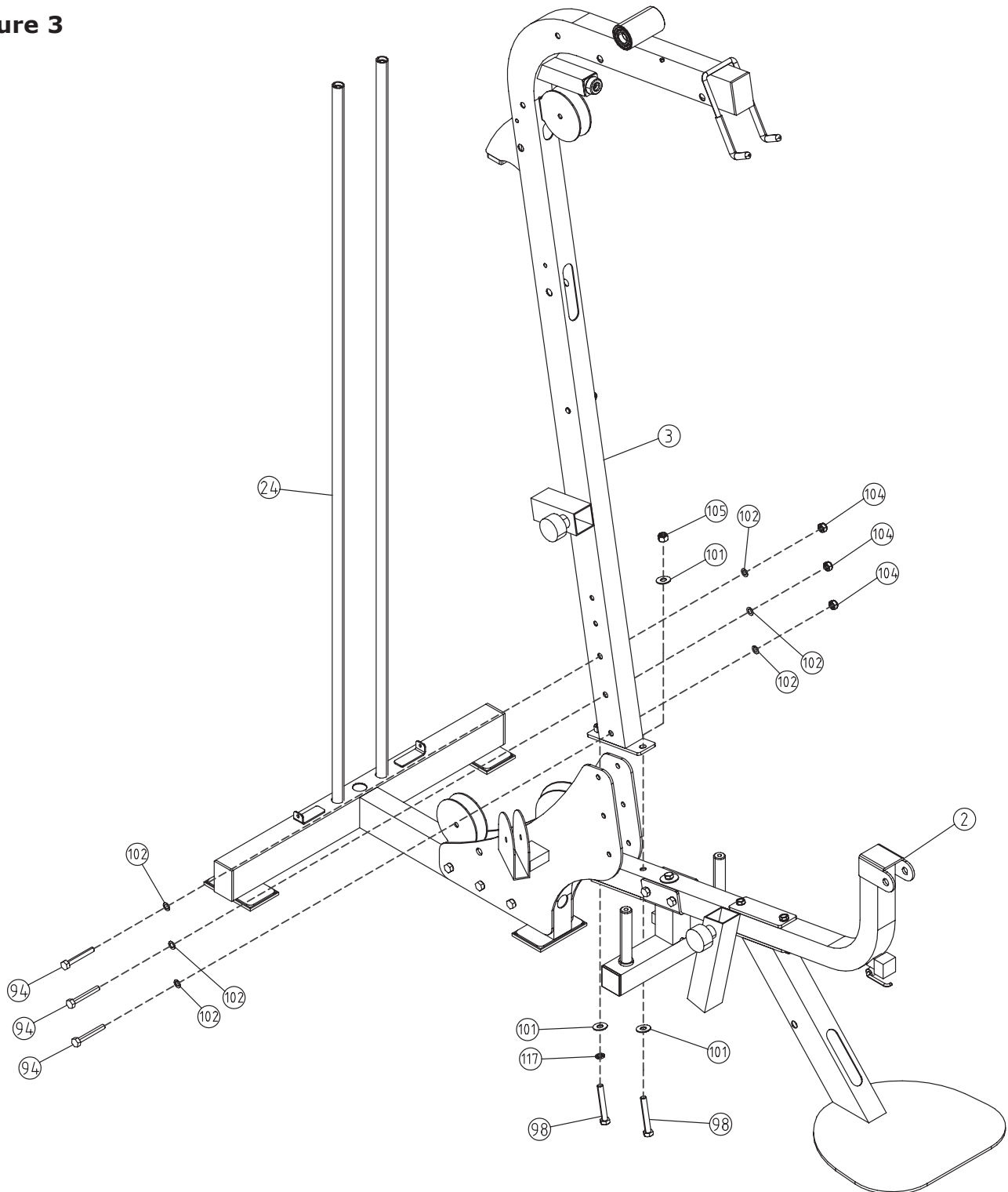
Figure 2



Step 3

Install the Main Upright (3) onto Seat Pad Support Receptacle (2). Secure it in place using three Nylon Locknuts (104), six Washers (102), and three Bolts (94) on the side. Two Bolts (98), one Spring Washer (117), three Washers (101), one Nylon Locknut (105) will secure it at the bottom.

Figure 3

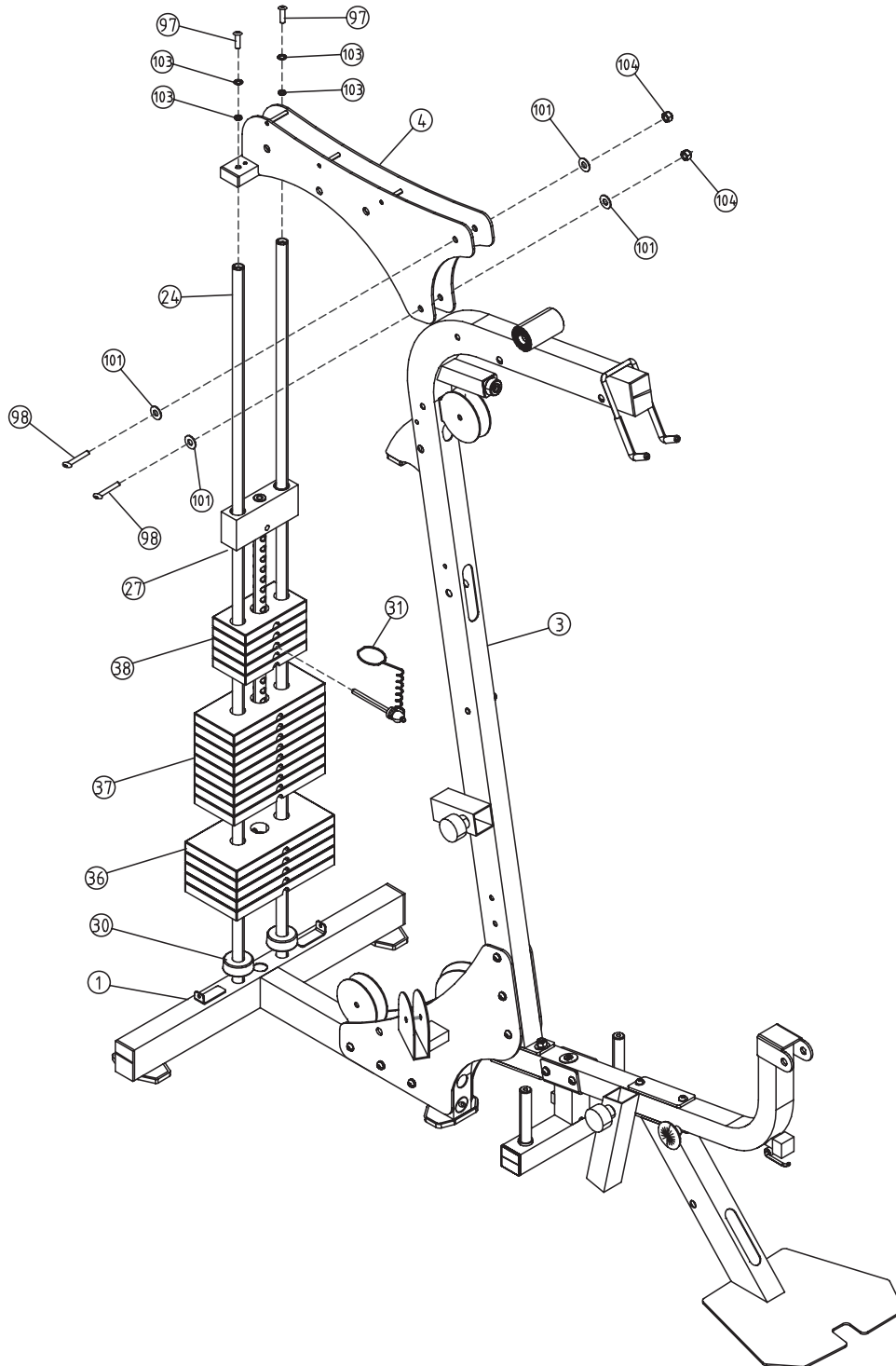


Step 4

Slide one Weight Stack Bumper (30) down each Guide Rod (24). Next, slide the weight plates down the Guide Rods (24) in this order - five 15lb Plates (36), nine 10lb Plates (37), five 5lb Plates (38), and the Top Plate (27).

Insert the Main Top Beam (4) onto the two Guide Rods (24) and the Main Upright (3). Secure Main Top Beam (4) to Main Upright (3) using two Nylon Locknuts (104), four Washers (101), two Bolts (98). Last, use four Spring Washers (103) and two Allen Bolts (97) to secure the Main Top Beam (4) to the two Guide Rods (24). Attach Weight Pin (31) to Weight Stack.

Figure 4



Step 5

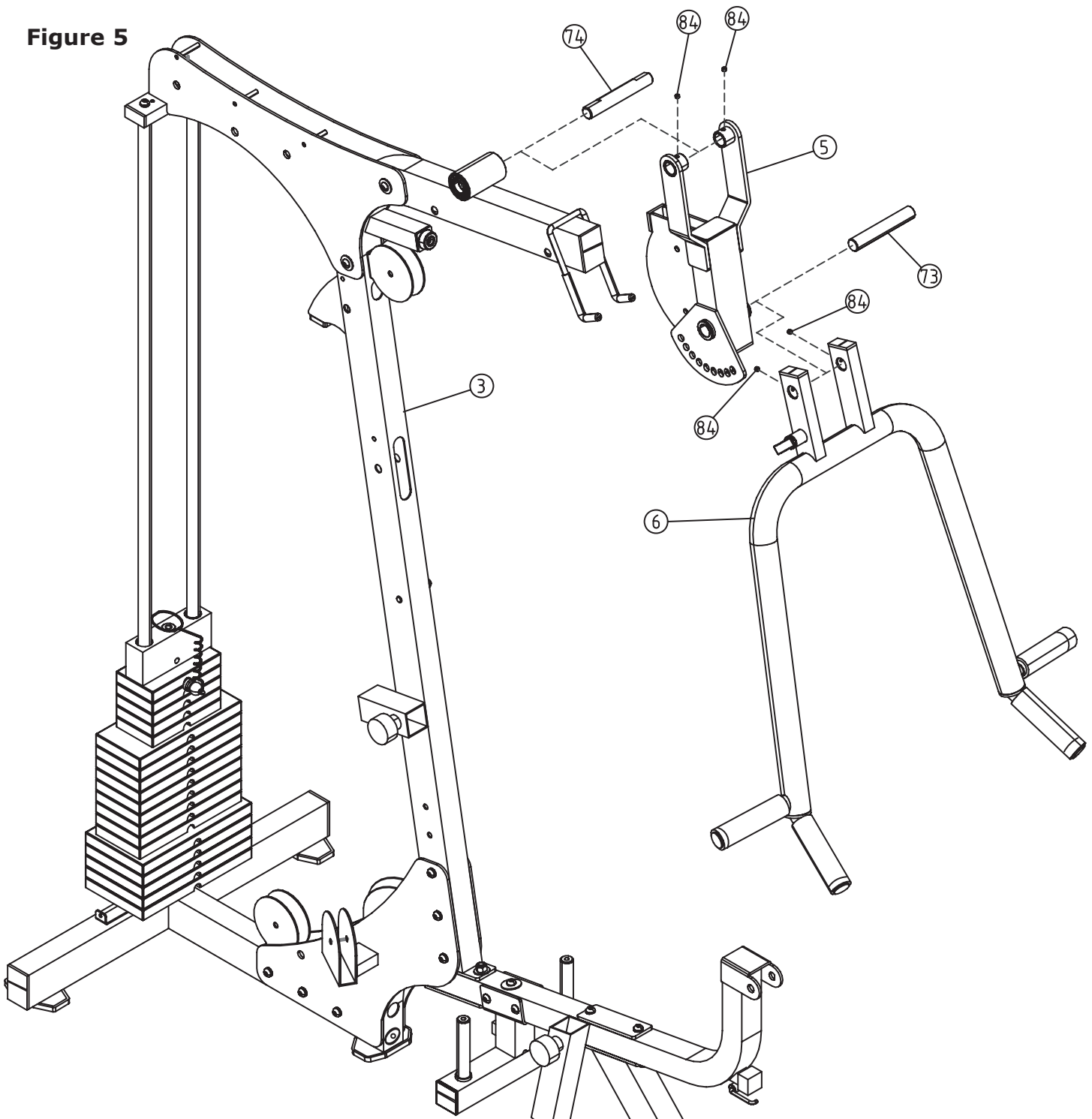
Attach Press Arm Support (5) to Main Upright (3) by aligning the holes and sliding the Shaft (74) through the holes of the Press Arm Support (5).

Secure the Shaft (74) to the Press Arm Support (5) using two Set Screws (84).

Install Press Arm (6) to Press Arm Support (5) by aligning the holes and sliding the Shaft (73) through the holes of the Press Arm (6).

Secure the Shaft (73) to the Press Arm (6) using two Set Screws (84).

Figure 5



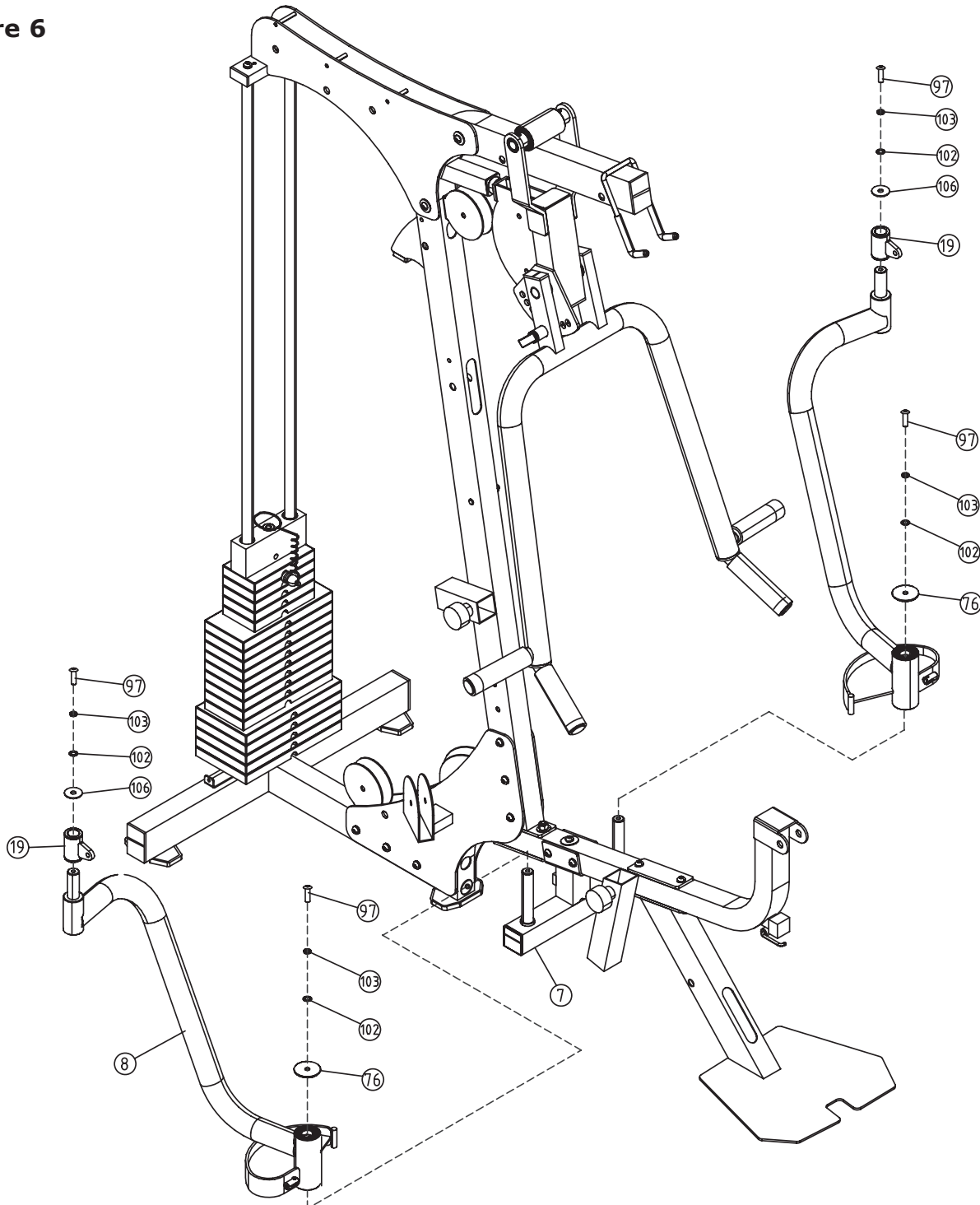
Step 6

Slide the Right Pec Dec Arm (8) on to the shaft of the Pec Dec Mount (7). Secure the arm in place using one Big Washer (76), one Washer (102), one Spring Washer (103), and one Allen Bolt (97).

Slide Pec Dec Handle Bar (19) onto the top of the Right Pec Dec Arm (8) and secure using one Chrome Washer (106), one Washer (102), one Spring Washer (103), and one Allen Bolt (97).

Repeat this step to complete the Left Pec Dec assembly.

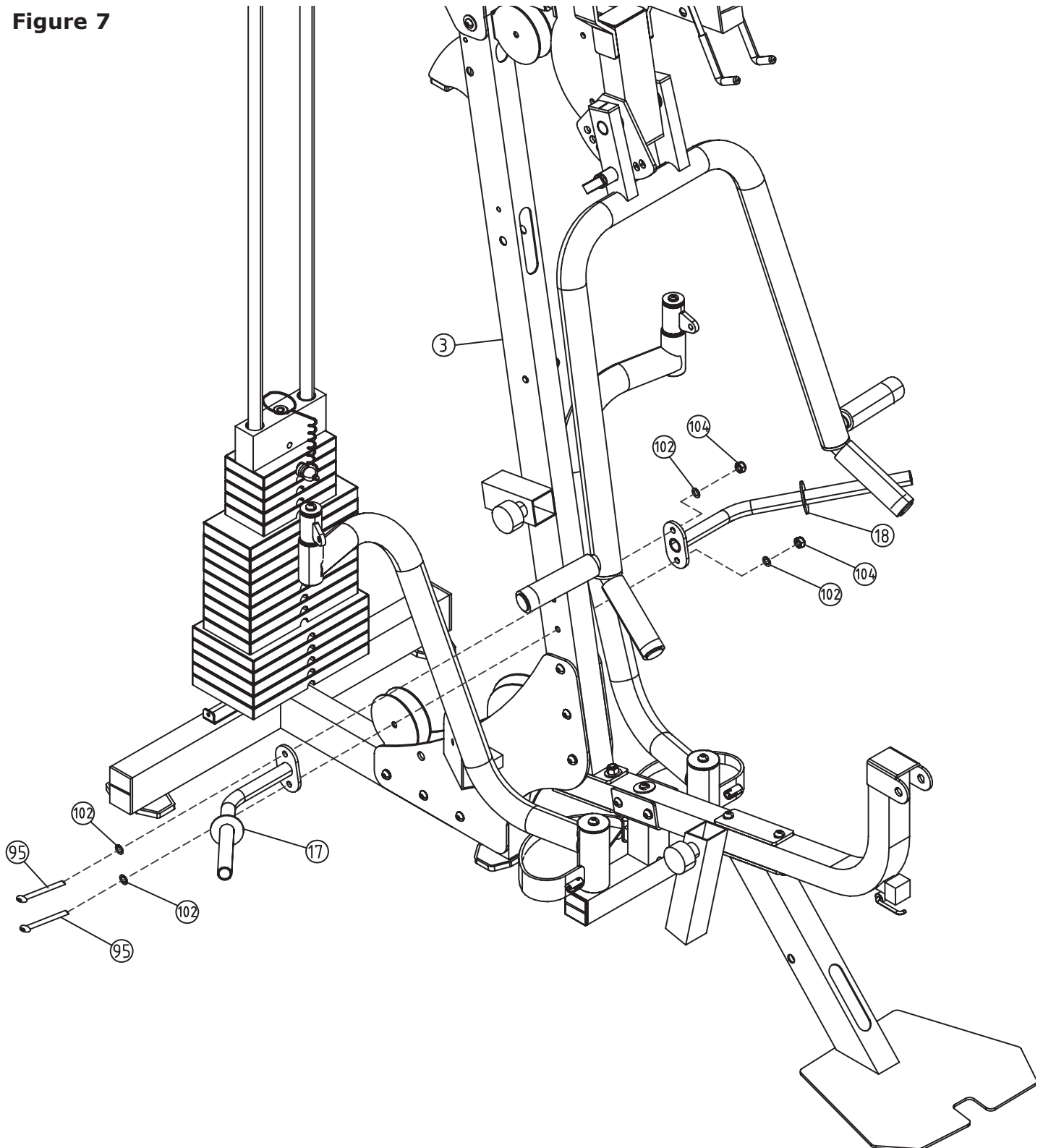
Figure 6



Step 7

Install the Right and Left Hold Leg Frames (17 & 18) to Main Upright (3) and secure using two Nylon Locknuts (104), four Washers (102), and two Bolts (95).
Make sure both Hold Leg Frames are angled upwards.

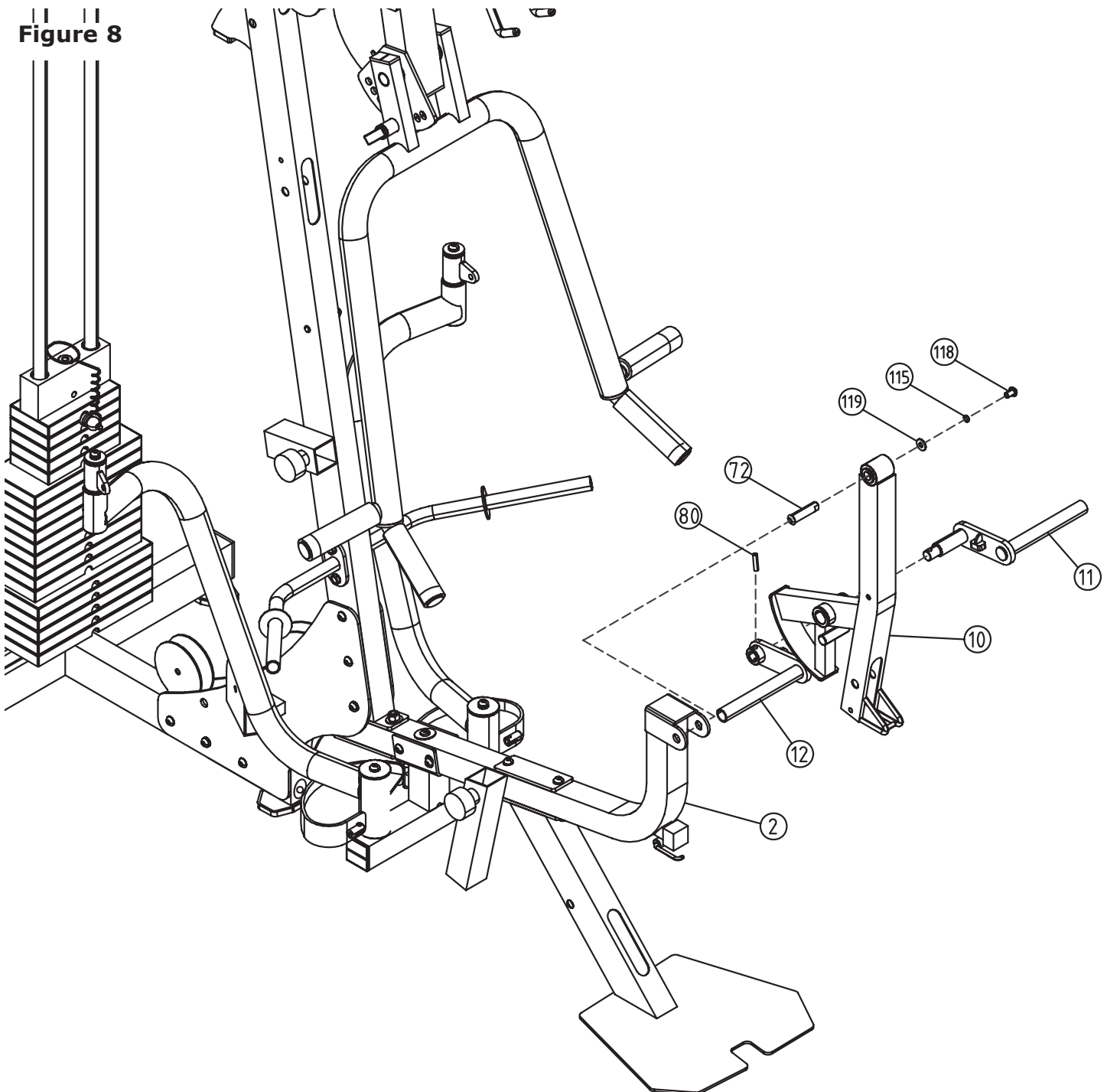
Figure 7



Step 8

Slide the Shaft (72) into the Leg Extension Lever (10). Attach Leg Extension Lever (10) to Seat Pad Support Receptacle (2) and secure using one Washer (119), one Spring Washer (115), and one Allen Bolt (118).

Slide Foam Frame w/ Shaft (11) through the Leg Extension Lever (10) and attach the Foam Frame w/o Shaft (12) to the other side. Insert the Slip Tension Pin (80) through the hole where the two foam frames meet. **Note:** You may need to use a rubber mallet to install Slip Tension Pin (80).



Step 9

Attach the Seat Pad (26) to the Seat Pad Support (13) using two Washers (102) and two Allen Bolts (96). Slide the Seat Support assembly (13) into the Seat Pad Support Receptacle (2) and secure by tightening attached Locking Knob.

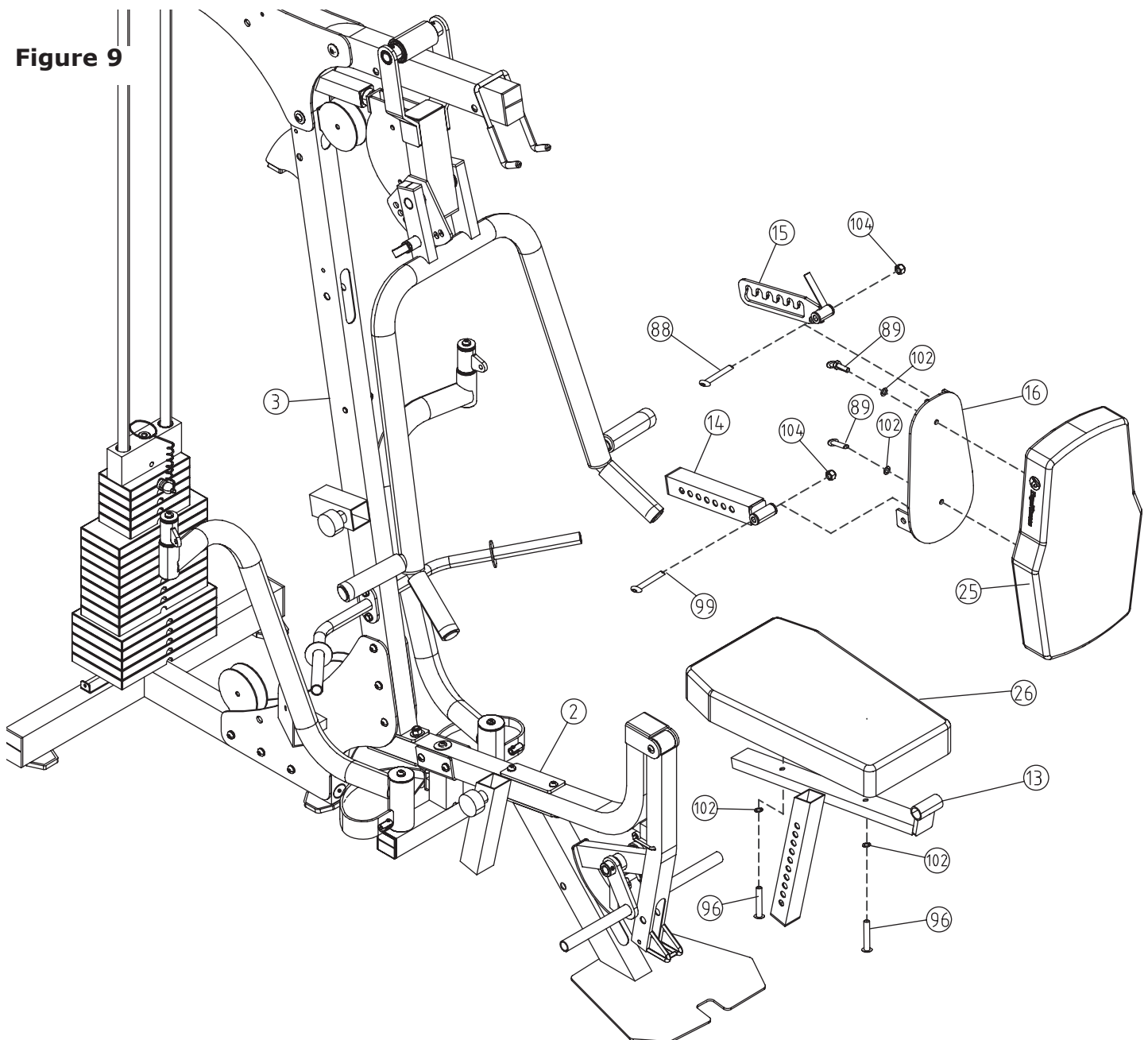
Install the Telescope (14) to the bottom of the Back Pad Support (16) and secure in place using one Nylon Locknut (104) and one Bolt (99).

Install the Tilting (15) to the top of the Back Pad Support (16) and secure in place using one Nylon Locknut (104) and one Bolt (88).

Attach the Back Pad (25) to Back Pad Support (16) using two Washers (102) and two Bolts (89).

Last, slide the Back Pad Support assembly into the receptacle on the Main Upright (3) and secure by tightening the Locking Pop Pin (52).

Figure 9



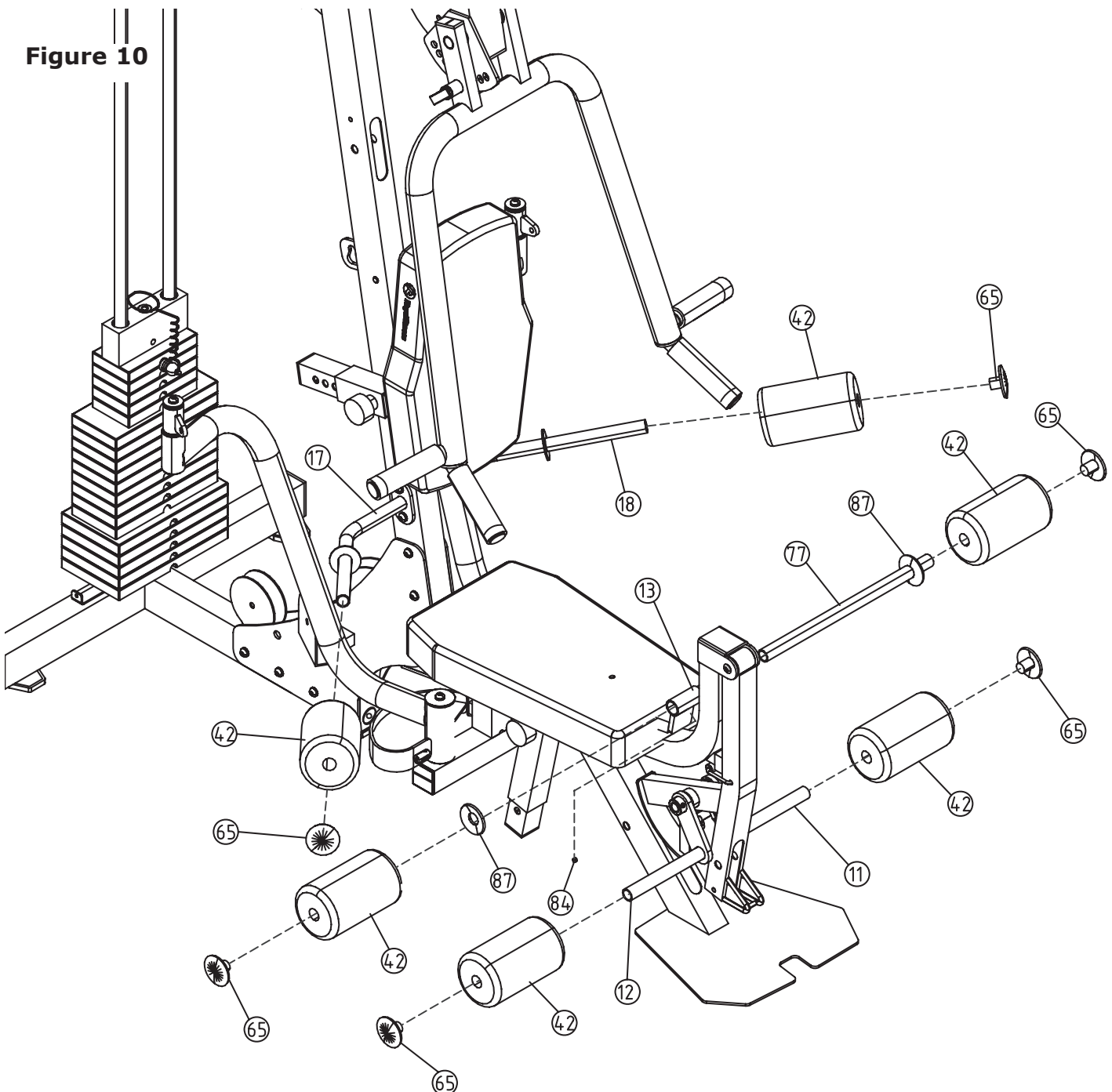
Step 10

Slide two Upholstered Roller Pads (42) onto Foam Frames (11 & 12) and secure using two Big Plugs (65).

Slide the Long Foam Tube (77) through the hole in Seat Pad Support (13). Slide two Plastic Washers (87) onto each end of Long Foam Tube (77). Next, slide two Upholstered Roller Pads (42) onto each side of Long Foam Tube (77) and secure using two Big Plugs (65).

Slide two Upholstered Roller Pads (42) onto the Leg Hold Frames (17 & 18) and secure using two Big Plugs (65).

Figure 10



Step 11

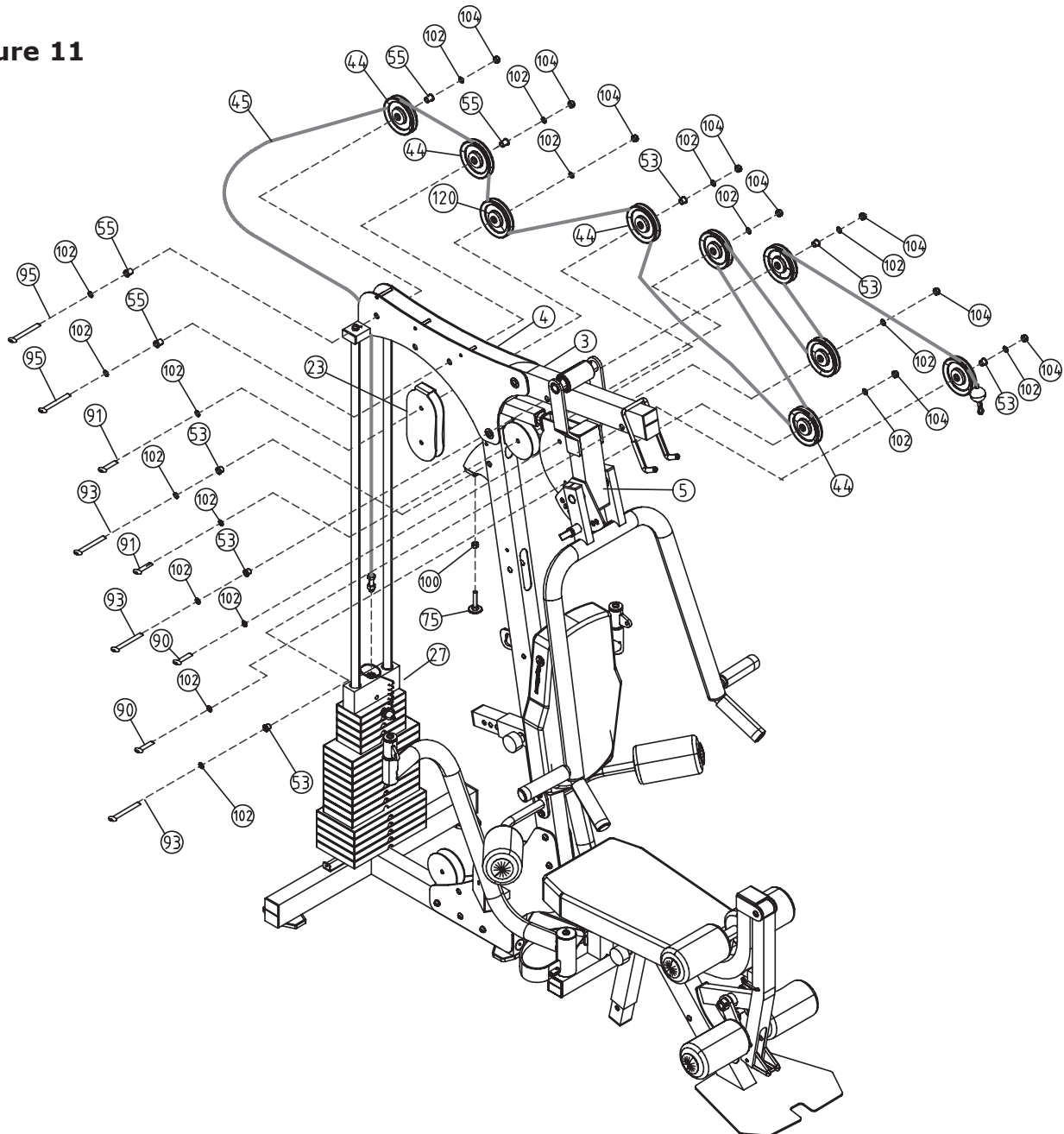
Note: Stretch all cables out completely and make sure all twisting is removed before installing. Install Chest Press Cable (45) as detailed in Figure 11. Follow dotted lines to identify exact location of pulleys. See Page 29 "Cable View" for more detail.

Start by threading cable end into Top Plate (27).

You will need the following for installation:

- | | | |
|------------------------------------|------------------------|-----------------------------|
| Pulley (44) - Qty. 8 | Bolt (90) - Qty. 2 | Small Pulley (120) - Qty. 1 |
| Cable (45) - Qty. 1 | Bolt (91) - Qty. 2 | |
| Nylon Locknut (104) - Qty. 9 | Bolt (93) - Qty. 3 | |
| Long Pulley Spacer (53) - Qty. 6 | Bolt (95) - Qty. 2 | |
| Longer Pulley Spacer (55) - Qty. 4 | Washer (102) - Qty. 18 | |
| Adjustable Stopper (75) - Qty. 1 | Hex Nut (100) - Qty. 1 | |

Figure 11



Step 12

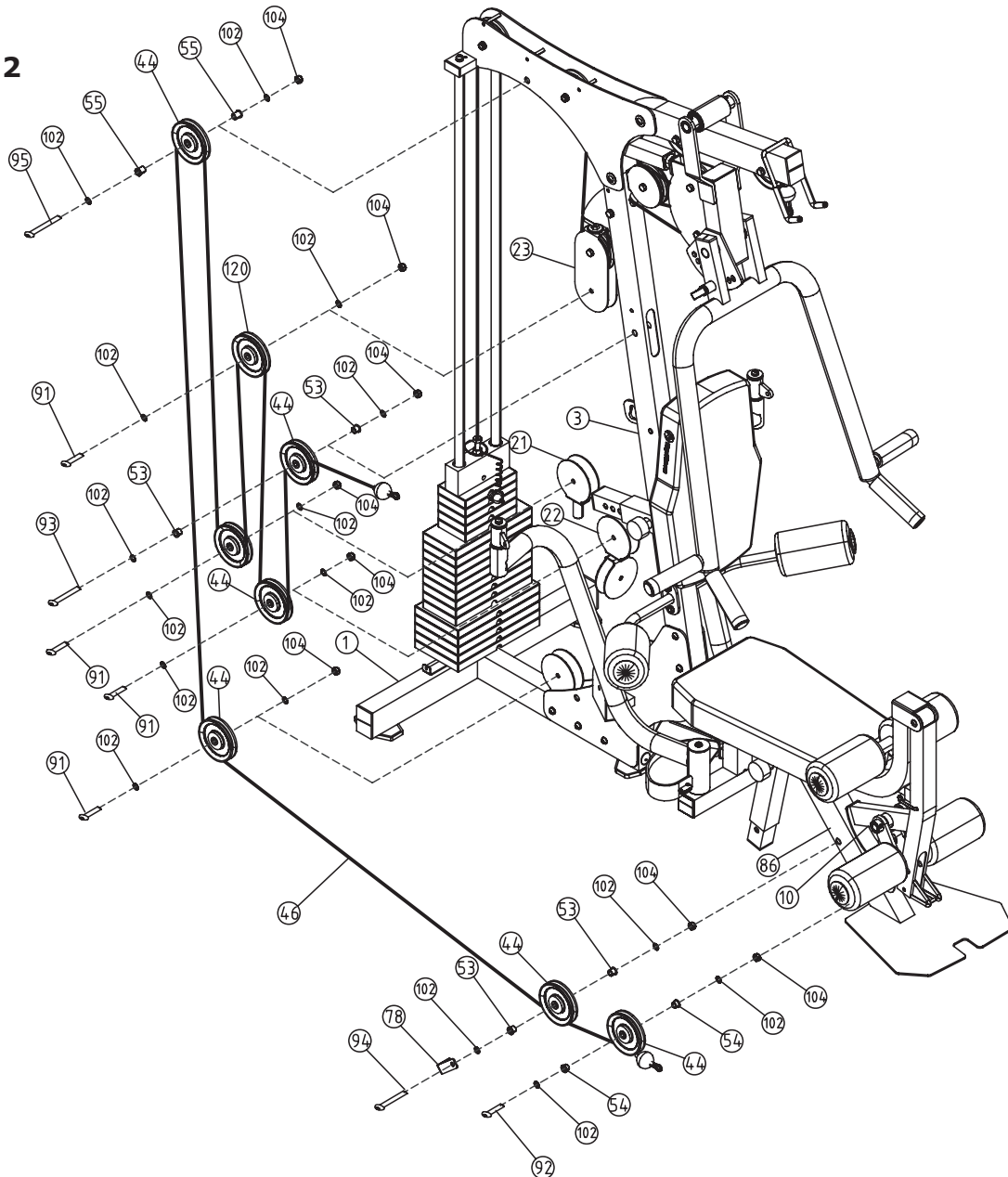
Note: Stretch all cables out completely and make sure all twisting is removed before installing. Install Mid Pulley Cable (46) as detailed in Figure 12. Follow dotted lines to identify exact location of pulleys. See Page 29 "Cable View" for more detail.

Start by installing cable under the pulley at Leg Extension location.

You will need the following for installation:

- | | | |
|------------------------------------|--------------------|---------------------------------------|
| Pulley (44) - Qty. 8 | Bolt (91) - Qty. 3 | Pulley Bracket w/ Shaft (21) - Qty. 1 |
| Cable (46) - Qty. 1 | Bolt (92) - Qty. 1 | Pulley Bracket Block (22) - Qty. 1 |
| Nylon Locknut (104) - Qty. 8 | Bolt (93) - Qty. 1 | Pulley Bracket (23) - Qty. 1 |
| Long Pulley Spacer (53) - Qty. 6 | Bolt (94) - Qty. 1 | |
| Longer Pulley Spacer (55) - Qty. 4 | Bolt (95) - Qty. 1 | |
| Short Pulley Spacer (54) - Qty. 2 | | |
| Washer (102) - Qty. 18 | | |

Figure 12



Step 13

Note: This step is only used if you **do not** have the Leg Press 2 attachment. Use the Cable Adapter (113) in place of the pulley.

Note: Stretch all cables out completely and make sure all twisting is removed before installing. Install Leg Press Cable Substitute (47) as detailed in Figure 13. Follow dotted lines to identify exact location of pulleys.

You will need the following for installation:

Cable Adapter (113) - Qty. 1

Longer Pulley Spacer (55) - Qty. 2

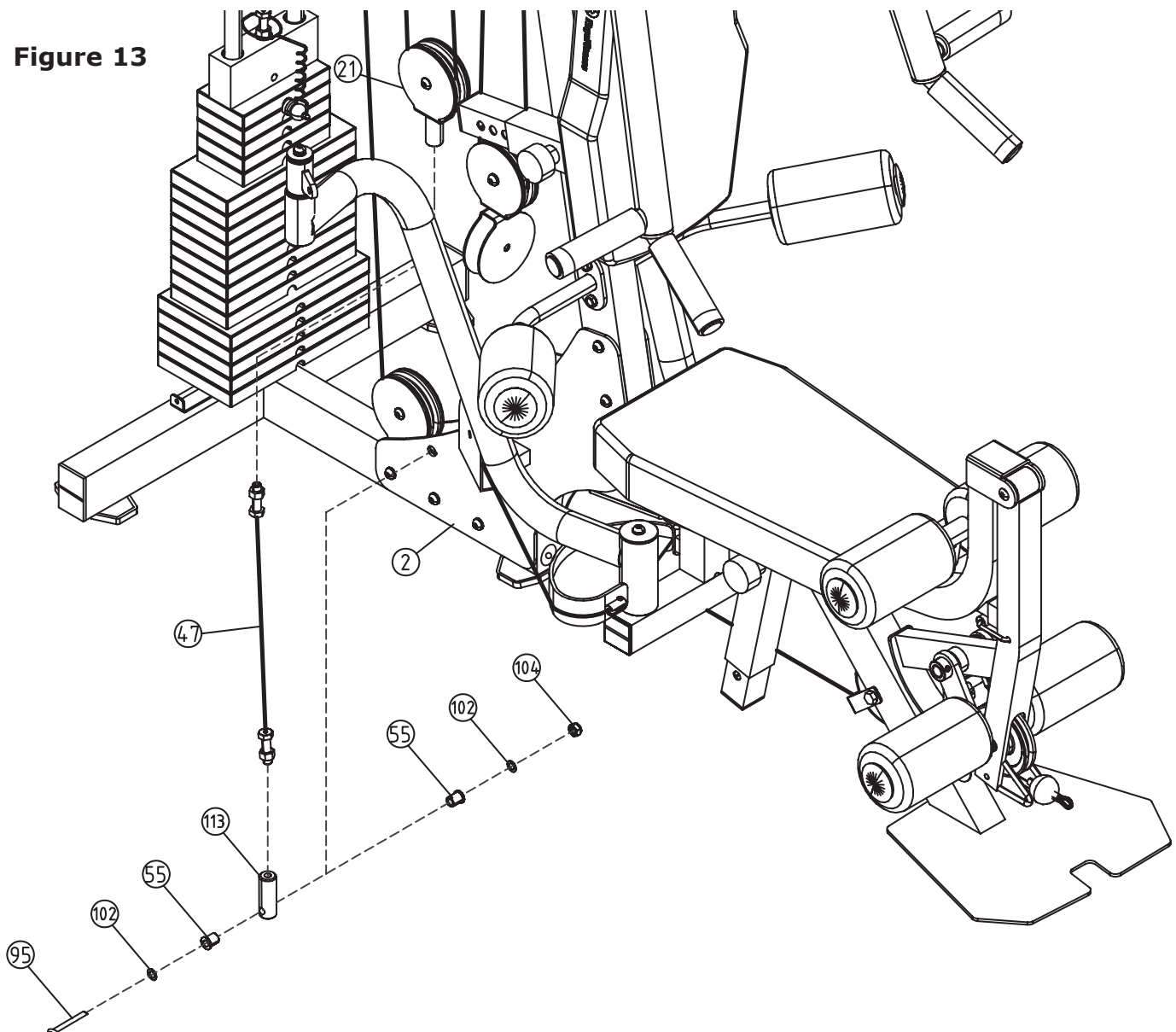
Cable (47) - Qty. 1

Bolt (95) - Qty. 1

Washers (102) - Qty. 2

Nylon Locknut (104) - Qty. 1

Figure 13



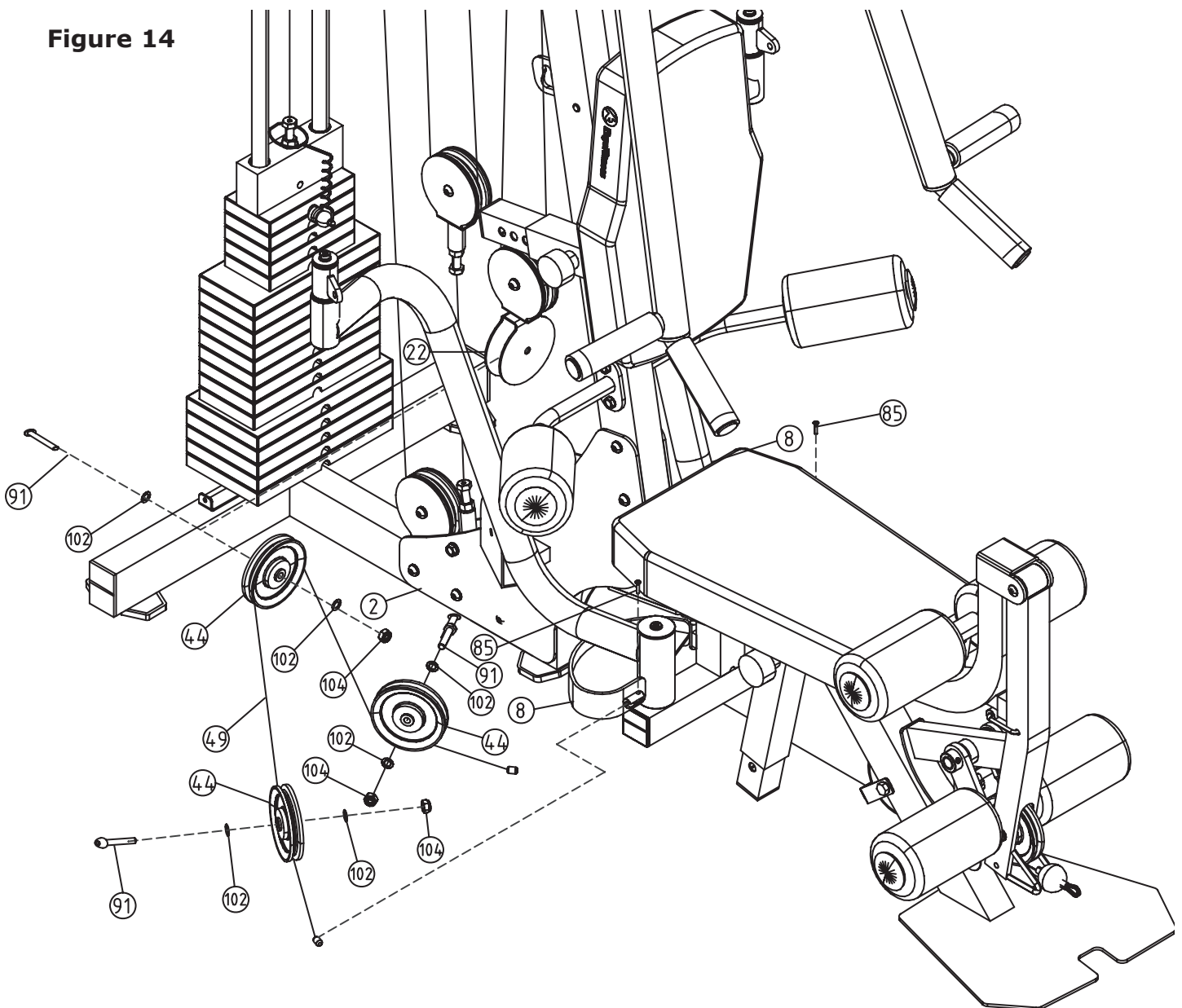
Step 14

Note: Stretch all cables out completely and make sure all twisting is removed before installing. Install Pec Dec Cable (49) as detailed in Figure 14. Follow dotted lines to identify exact location of pulleys. See Page 29 "Cable View" for more detail.

You will need the following for installation:

- Cable (49) - Qty. 1
- Pulley (44) - Qty. 3
- Pulley Bracket Block (22) - Qty. 1
- Bolt (91) - Qty. 3
- Washers (102) - Qty. 6
- Nylon Locknut (104) - Qty. 3
- Phillips Screw (85) - Qty. 2

Figure 14



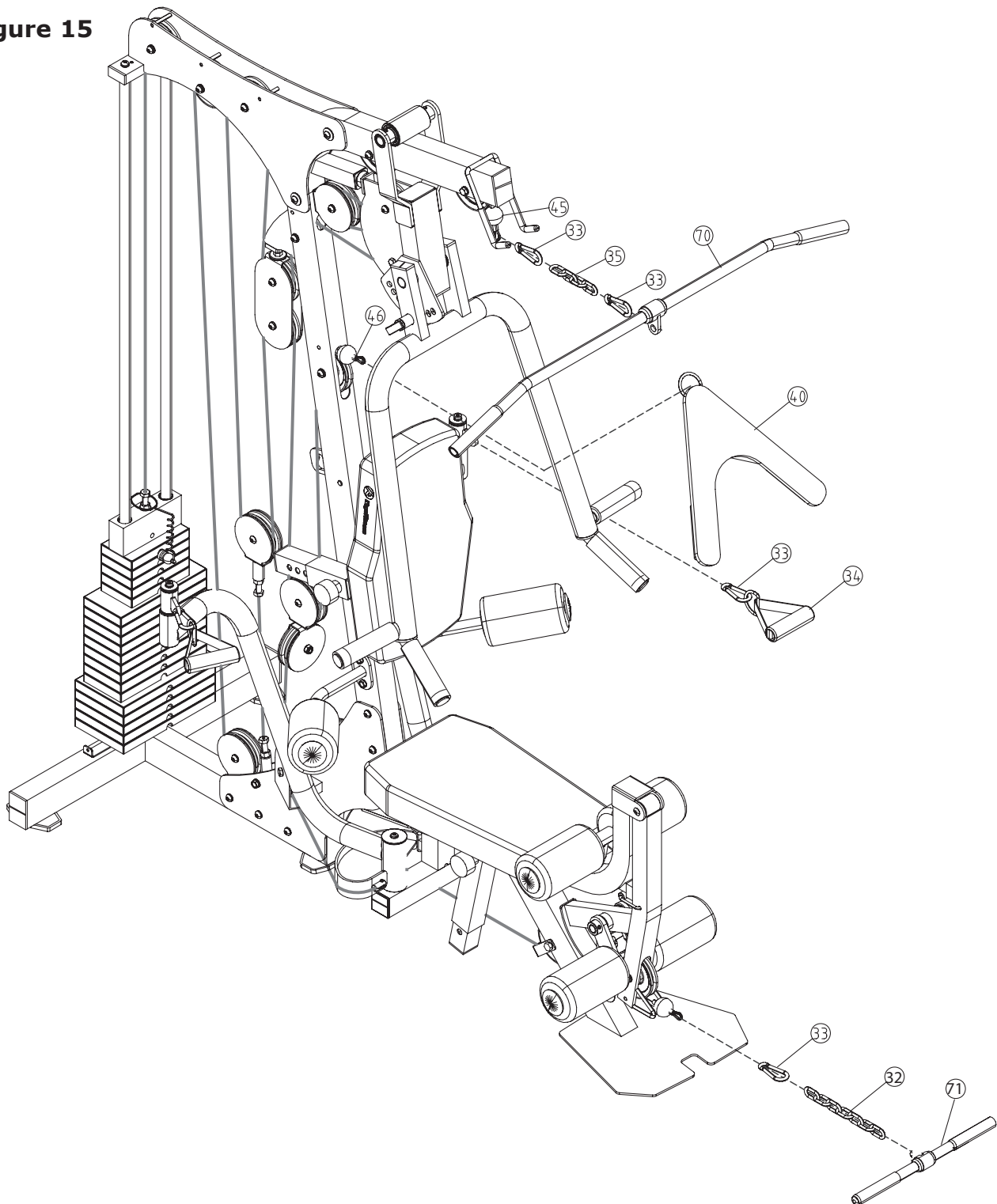
Step 15

Connect Long Lat Bar (70) to the Chest Press Cable (45) using two Gear Hooks (33) and Short Chain (35).

Connect Ab Strap (40) or Lat Strap (34) to Mid Pulley Cable (46) using one Gear Hook (33).

Connect Short Lat Bar (71) to Mid Pulley Cable (46) using two Gear Hooks (33) and Long Chain (32).

Figure 15

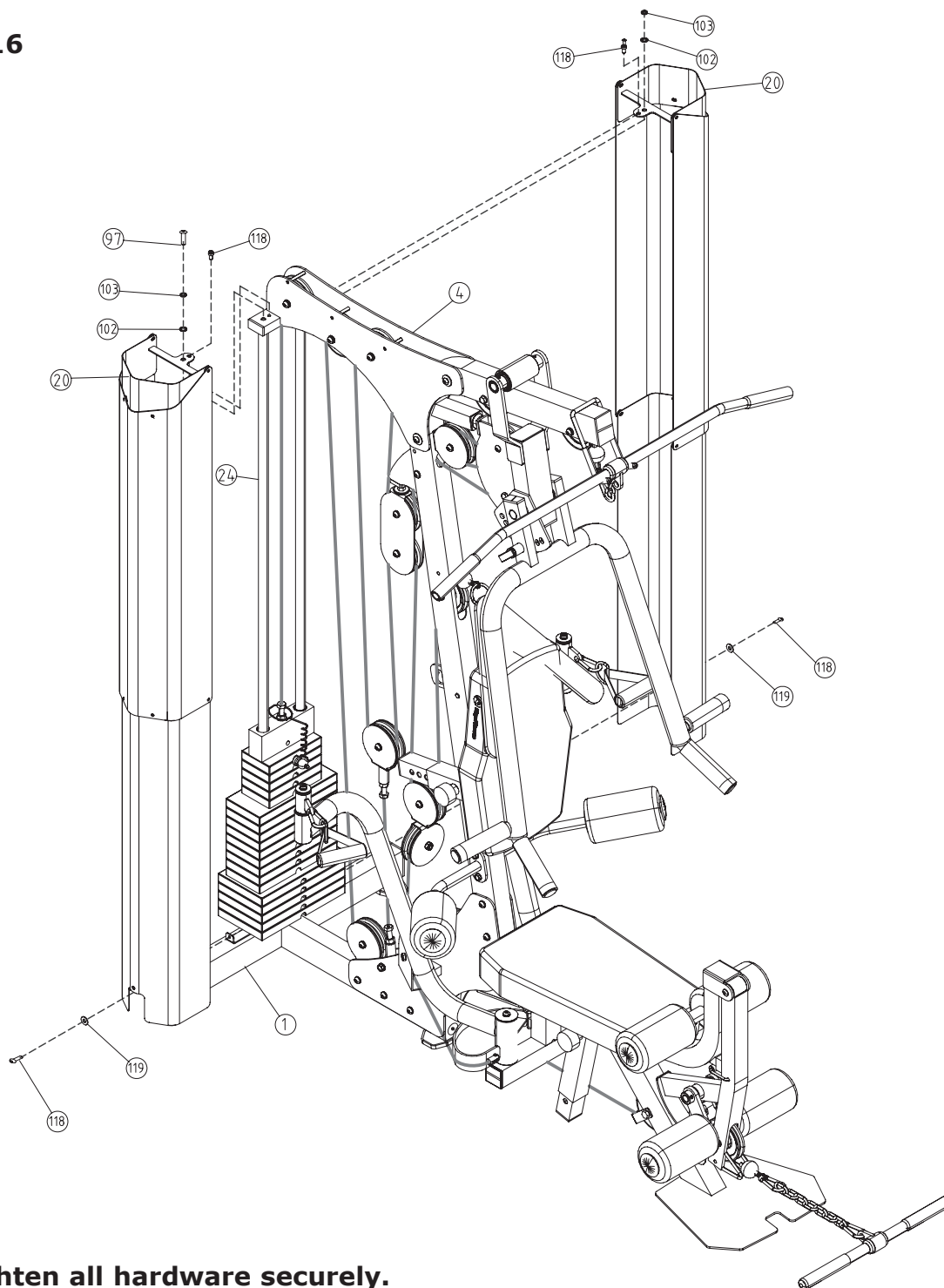


Step 16

Install Weight Shrouds (20) to each side of the Main Top Beam (4) using two Washers (102), two Spring Washers (103), and Allen Bolts (97 & 118).

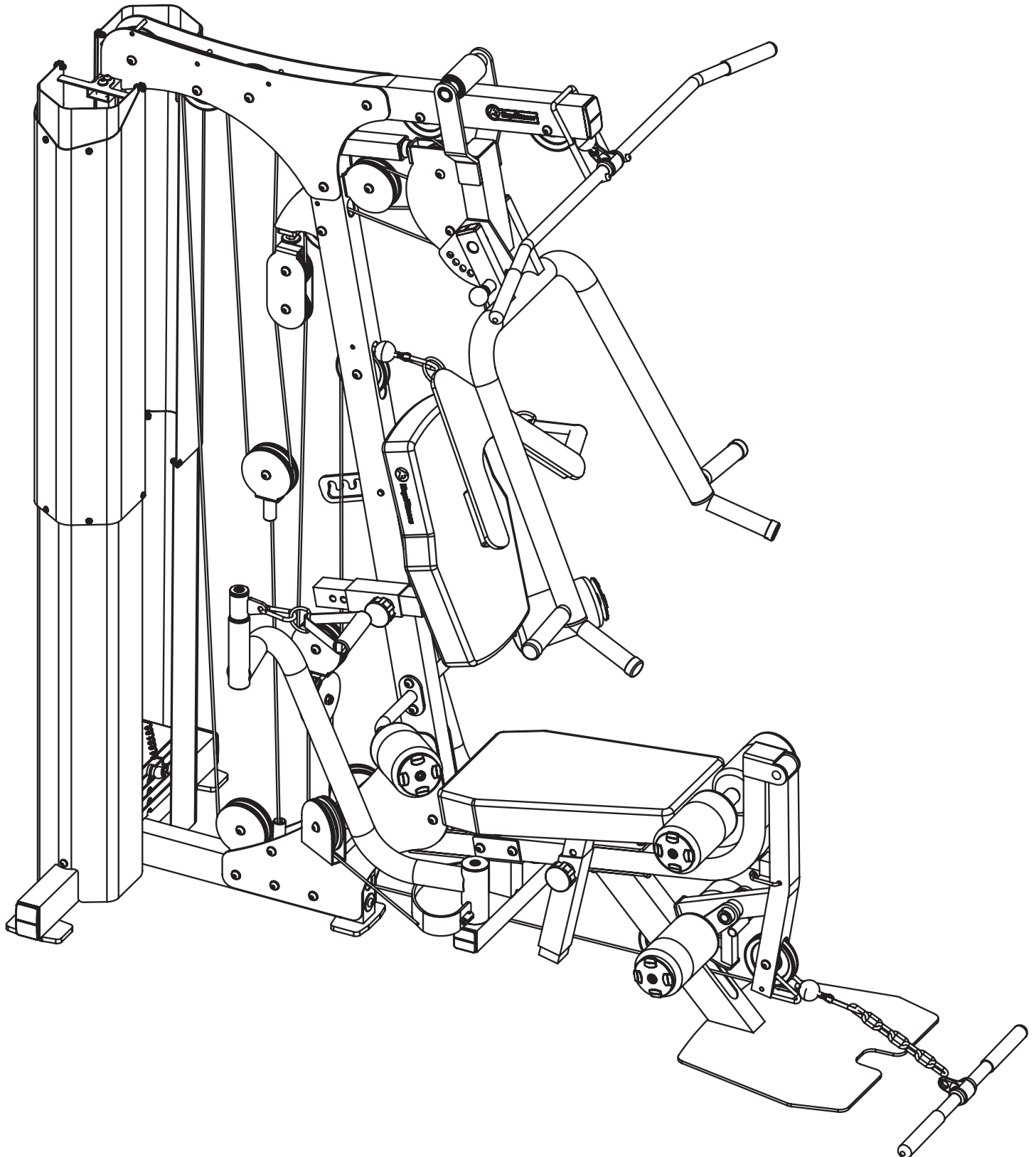
Secure the bottom portion of the Weight Shrouds (20) to the Rear Frame (1) using two Washers (119) and two Allen Bolts (118).

Figure 16

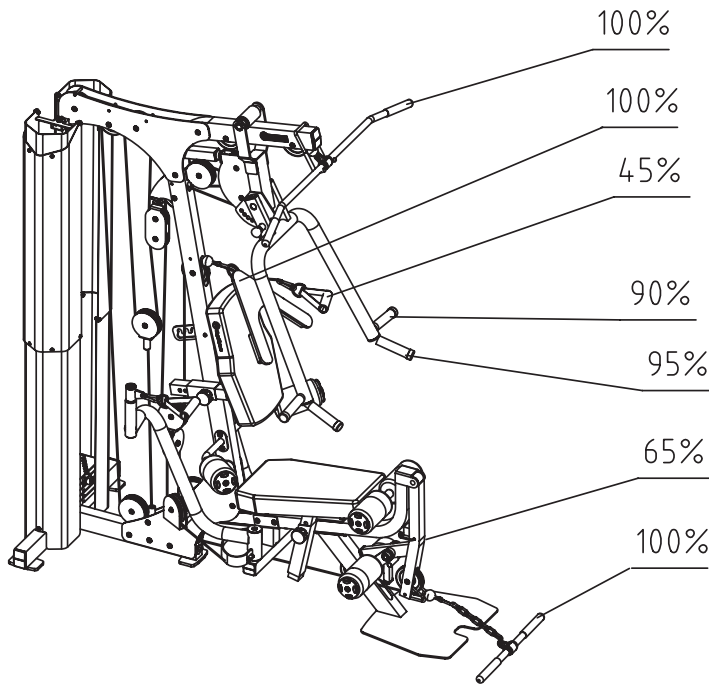


Note: Tighten all hardware securely.

Congratulations!
You have completed the assembly of your new KF-1860.



Weight Ratios



	100%	95%	90%	65%	45%
1	10	9.5	9	6.5	4.5
2	15	14	13.5	10	7
3	20	19	18	13	9
4	25	24	23	16	11
5	30	29	27	20	14
6	35	33	32	23	16
7	45	43	41	29	20
8	55	52	50	36	25
9	65	62	59	42	29
10	75	71	68	49	34
11	85	81	77	55	38
12	95	90	86	62	43
13	105	100	95	68	47
14	115	110	104	75	52
15	125	119	113	81	56
16	140	133	126	91	63
17	155	147	140	101	70
18	170	162	153	111	76
19	185	176	167	120	83
20	200	190	180	130	90

Based On 200 LB Weight Stack

KF1860

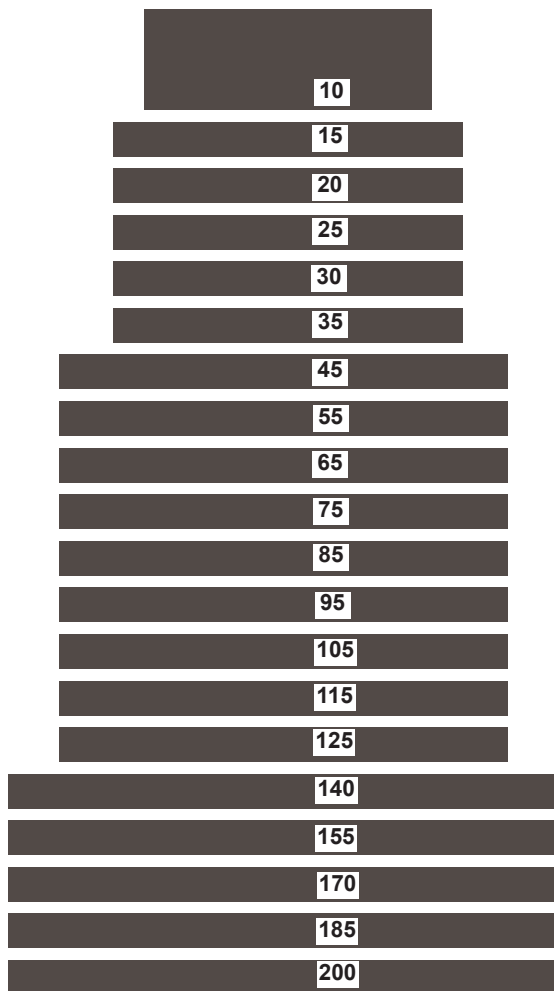
Weight Stack Sticker Placement



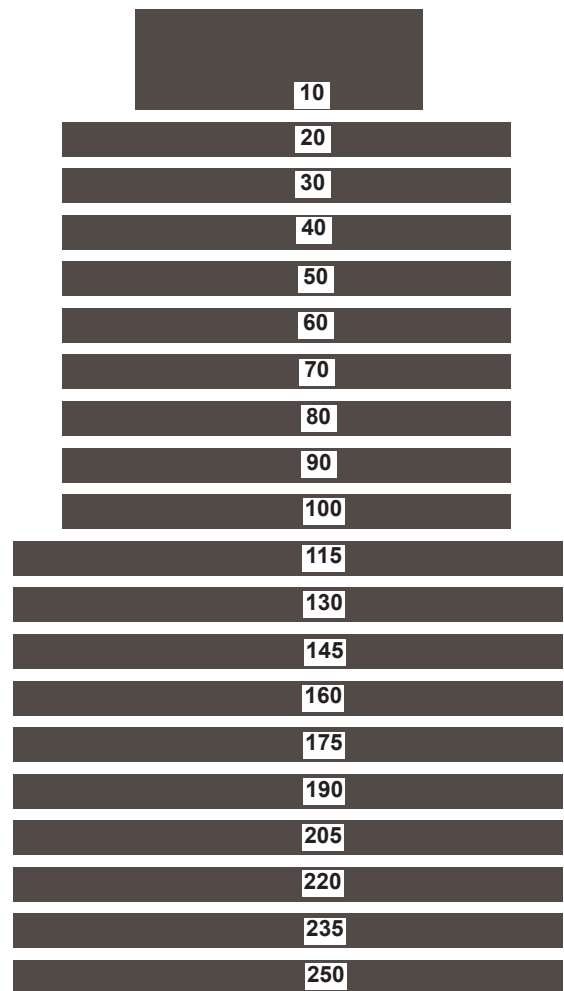
Your new unit can be purchased with either a 200 LB or 250 LB weight stack. Depending on which weight stack you have purchased will determine which weight stack sticker numbers will be used.

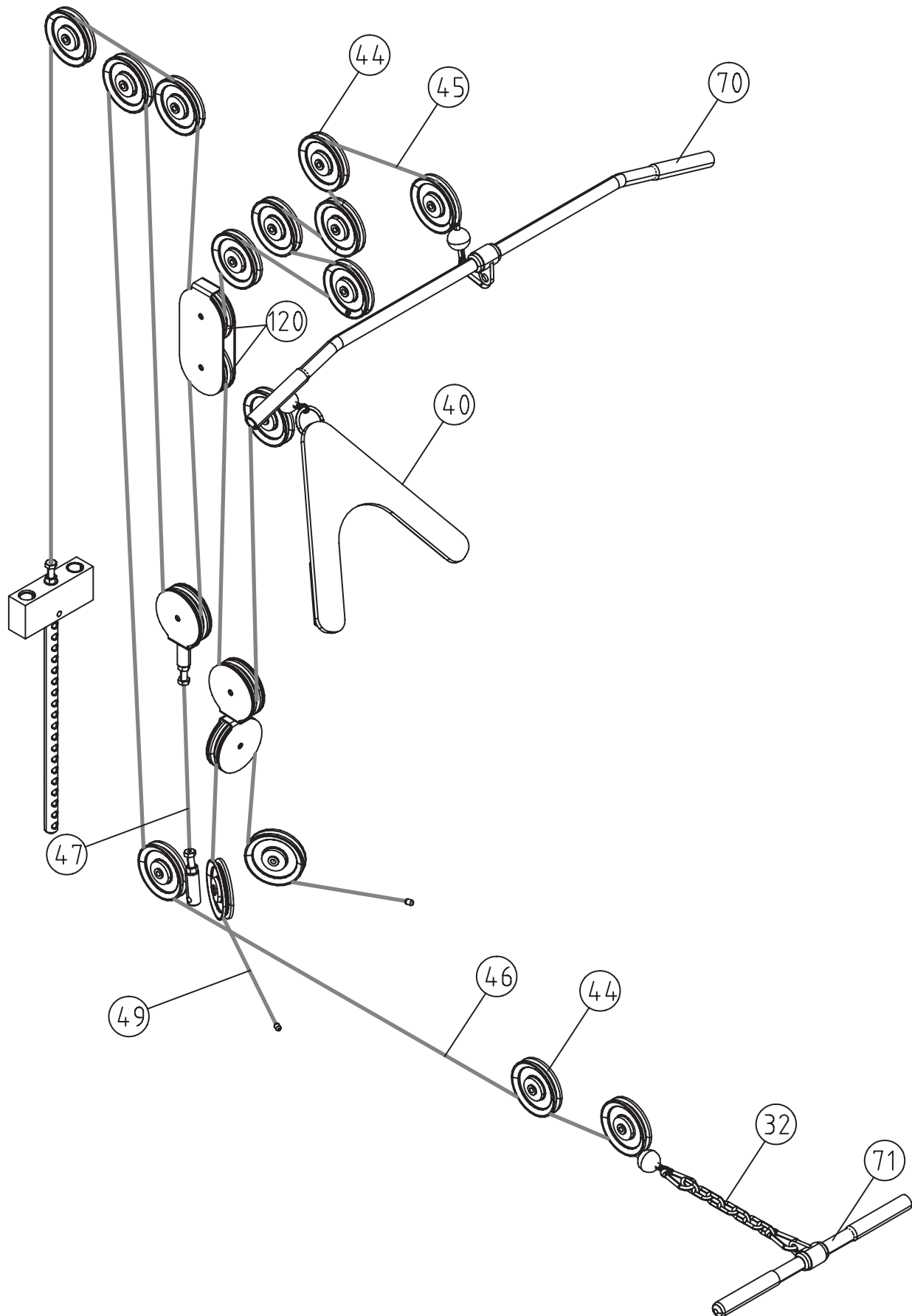
The weight stack images below show which weight stack sticker numbers are to be used on your weight stack. Please note that these stickers should not be put on until the entire unit has been assembled and all bolts and nuts have been tightened.

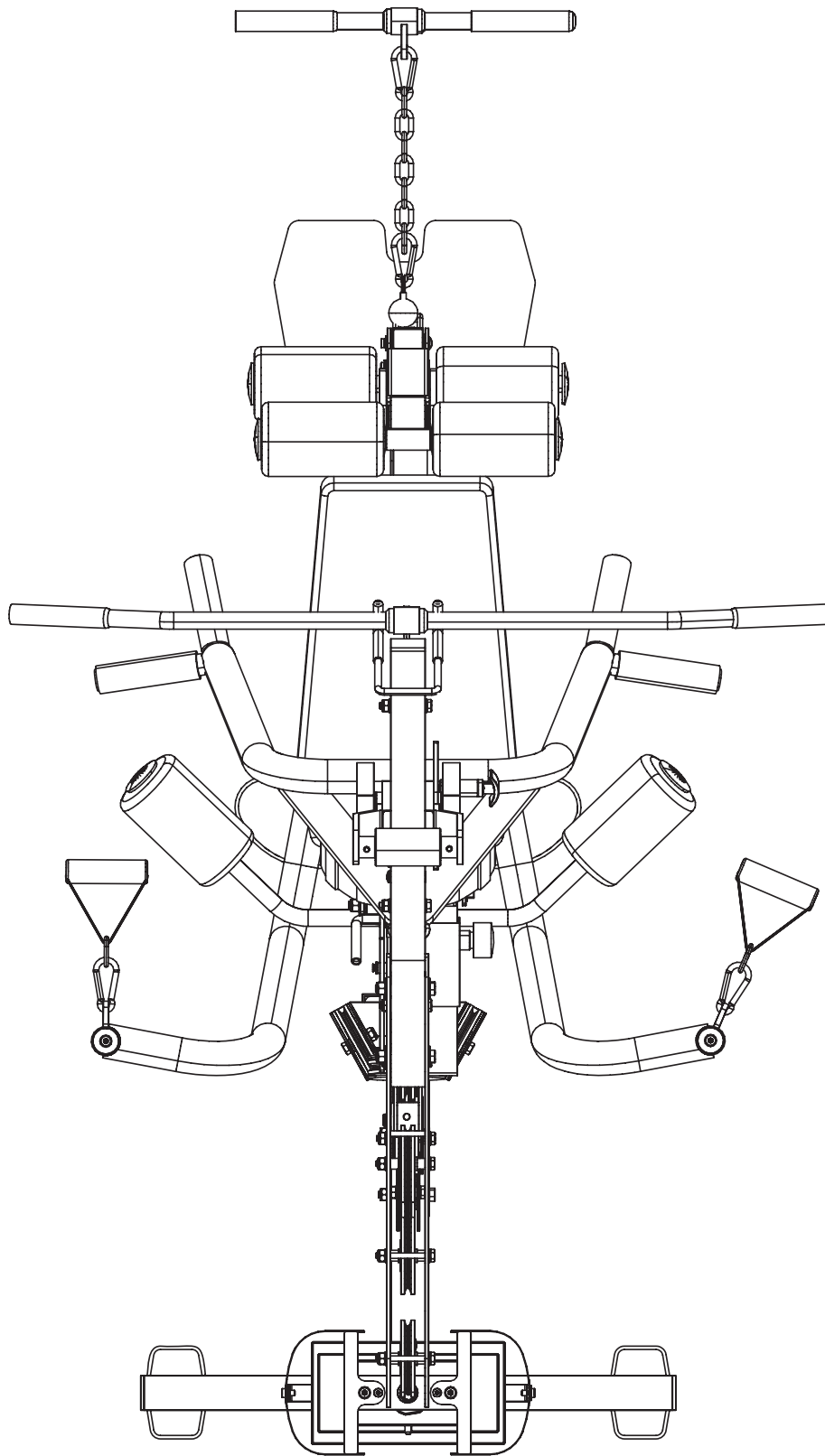
200 LB Stack



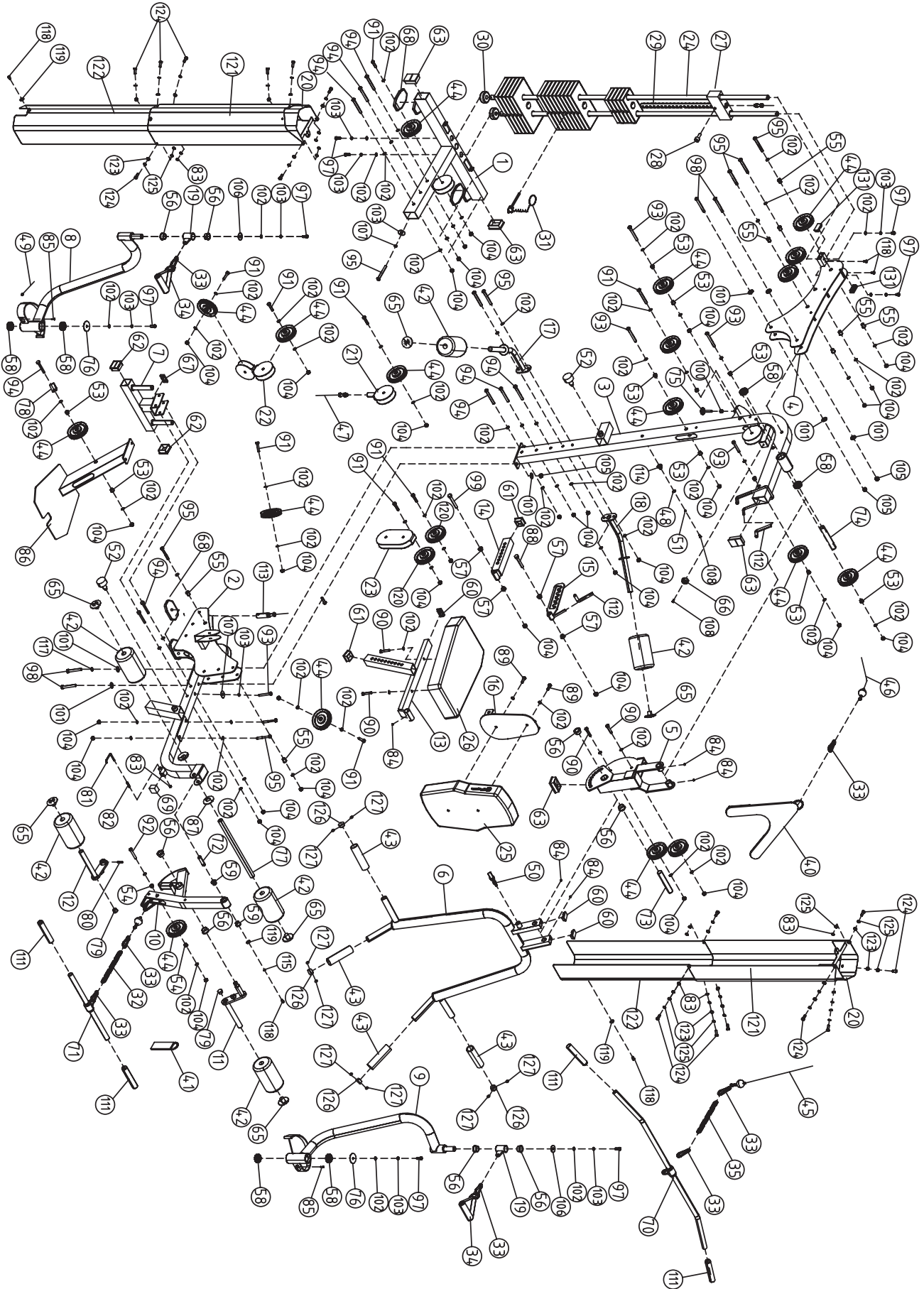
250 LB Stack







L73.8" × W47.4" × H83.5"



KF-1860 Parts List Rev A

Ref #	Part #	Description	Qty	Ref #	Part #	Description	Qty
1	223-00949	FRAME, REAR KF-1860	1	67	206-00143	PEC DEC STOP BUMPER KPS-2050	1
2	223-00950	RECEPTACLE, SEAT PAD SUPPORT KF-1860	1	68	206-00061	BASE PAD KPS	3
3	223-00951	UPRIGHT, MAIN KF-1860	1	69	206-00099	END CAP BUMPER - KPS	1
4	223-00952	BEAM, MAIN TOP KF-1860	1	70	223-00092	LAT BAR KPS-GYM, 223-00574	1
5	223-00034	PRESS ARM SUPPORT KPS-1550/KF-1860	1	71	219-00136	SHORT BAR KPS-2000	1
6	223-00953	PRESS ARM, KF-1860	1	72	230-00017	SHAFT LEG EXT. KPS-1850/1550	1
7	223-00241	PEC DEC MOUNT	1	73	230-00018	SHAFT FOR CHEST PRESS ADJ. KPS-1850	1
8	223-00954	PEC DEC ARM, RIGHT KF-1860	1	74	230-00019	SHAFT CHEST PRESS KPS-1850	1
9	223-00955	PEC DEC ARM, LEFT KF-1860	1	75	210-00097	ADJUSTABLE STOPPER, KPS	1
10	223-00244	LEG EXTENSION LEVER KPS-1850	1	76	202-00145	BIG WASHER, 56.5*10.5*5	2
11	219-00265	FOAM FRAME W/SHAFT KPS-1850/1550	1	77	230-00008	LONG FOAM TUBE	1
12	219-00266	FOAM FRAME W/O SHAFT KPS-1850/1550	1	78	219-00281	CABLE RETAINER KPS-1850/2050	1
13	223-00245	SEAT PAD SUPPORT KPS-1850	1	79	206-00390	PLUG, ROLLER PAD TUBE CAP, KF SERIES	2
14	219-00267	TELESCOPE FOR BACK PAD KPS-1850	1	80	202-00146	SLIP TENSION PIN	1
15	219-00268	TILTING FOR BACK PAD KPS-1850	1	81	202-00147	U PIN	1
16	219-00269	BACK PAD SUPPORT KPS-1850	1	82	202-00144	SMALL SPRING	1
17	219-00270	RIGHT LEG HOLD LEG FRAME KPS-1850/2050	1	83	202-00142	NUT, M6	17
18	219-00271	LEFT LEG HOLD LEG FRAME KPS-1850/2050	1	84	202-00143	SCREW, M8*6	5
19	219-00272	PEC DEC HANDLE BAR KPS-1850/1550	2	85	202-00122	PHILLIP SCREW, M4*20	2
20	223-00957	WEIGHT SHROUD, TOP KF-1860	2	86	223-00956	UPRIGHT, FRONT KF-1860	1
21	219-00273	PULLEY BRACKET W/SHAFT KPS-1850	1	87	206-00134	PLASTIC WASHER KPS-2050/1850	2
22	219-00274	PULLEY BRACKET BLOCK KPS-1850	1	88	202-00325	SHORT SHOULDER BOLT, 12.2X69	1
23	219-00275	PULLEY BRACKET KPS-1850	1	89	202-00635	SCREW, M10X30 BUTTON HEAD SOCKET CAP	2
24	223-00247	GUIDE ROD KPS-1850	2	90	202-00664	SCREW, BUTTON HEAD SOCKET CAP M10X50	4
25	228-00218	BACK PAD, KF-1860	1	91	202-00658	SCREW, BUTTON HEAD SOCKET CAP M10X45	9
26	228-00219	SEAT PAD, KF-1860	1	92	202-00665	SCREW, BUTTON HEAD SOCKET CAP M10X65	1
27	223-00031	TOP PLATE KPS-GYM	1	93	202-00637	SCREW, M10X70 BUTTON HEAD SOCKET CAP	5
28	202-00121	SCREW, M12*35	1	94	202-00655	SCREW, BUTTON HEAD SOCKET CAP M12X75	9
29	219-00276	SELECTOR ROD KPS-GYMS	1	95	202-00634	SCREW, M10X80 BUTTON HEAD SOCKET CAP	9
30	206-00026	WEIGHT BUMPER KPS	2	97	202-00636	SCREW, M8X25 BUTTON HEAD SOCKET CAP	8
31	210-00004	WEIGHT PIN	1	98	202-00640	SCREW, M12X80 BUTTON HEAD SOCKET CAP	4
32	229-00038	LONG CHAIN 12	1	99	202-00326	LONG SHOULDER BOLT, 12.2X91.5	1
33	210-00008	GEAR HOOK, KPS	7	100	202-00129	REGULAR HEX NUT 10	1
34	210-00061	HAND STRAP KPS GYM	2	101	202-00127	WASHER, 13*24*1.5	7
35	229-00037	SHORT CHAIN	1	102	202-00128	WASHER, 11*20*2	78
39	214-00001	WEIGHT STACK STICKERS INRAY	1	103	202-00100	SPRING WASHER, M10	10
40	210-00060	ABDOMINAL STRAP KPS GYM	1	104	202-00091	NYLON NUT, M10	35
41	210-00059	ANKLE STRAP KPS GYM	1	105	202-00092	NYLON NUT, M12	3
42	206-00395	FOAM PADDING, 100X22X180 KF SERIES	6	106	202-00678	WASHER, CHROME 38X11X2	2
43	206-00103	LAT BAR GRIP - KPS	4	107	202-00130	WASHER, BIG 11*38*2	2
44	223-00228	BIG PULLEY 4.5"	18	108	202-00131	PHILLIP SCREW, M6*15	2
45	229-00047	CHEST PRESS CABLE KPS-1850 P45	1	109	202-00132	HEX KEY 6	1
46	229-00048	MID PULLEY CABLE KPS-1850 P46	1	110	202-00133	HEX KEY 4	1
47	229-00049	LEG PRESS CABLE SUBSTITUTE KPS-2050/1850	1	111	206-00135	GRIP	4
48	202-00324	BIG WASHER, 7X38X3	1	112	206-00136	RUBBER STOPPER	3
49	229-00050	PEC DEC CABLE KPS-2050/1850	1	113	210-00093	CABLE ADAPTOR	1
50	210-00095	POP PIN, KPS	1	114	206-00137	NYLON COVER	1
51	202-00139	SPRING WASHER, 6	1	115	202-00134	SPRING WASHER 8	1
52	210-00096	POP PIN (LOCKING)	2	116	210-00091	LUBRICANT	1
53	202-00071	LONG PULLEY SPACER - KPS GYMS	10	117	202-00135	SPRING WASHER, 12	1
54	202-00025	SHORT PULLEY SPACER - KPS	2	118	202-00136	ALLEN BOLT M8*15	5
55	202-00140	LONG PULLEY SPACER	8	119	202-00158	WASHER, 9*22*2	3
56	202-00016	BRONZE ID 25.4	8	120	223-00231	SMALL PULLEY, KPS-CC/CG/LATA/SCC	2
57	202-00023	BRONZE BUSHING, ID 12.2	4	121	223-00958	WEIGHT SHROUD, MIDDLE KF-1860	2
58	202-00024	BEARING ID 25	6	122	223-00959	WEIGHT SHROUD, BOTTOM KF-1860	2
59	202-00141	BRONZE BUSHING, ID16	2	123	202-00677	SMALL SPACER, KF-1860	16
60	206-00139	SQUARE PLUG 50*25	3	124	202-00676	SCREW, BUTTON HD SOC CAP M6X18	16
61	206-00020	PLUG 44.5	2	125	202-00227	WASHER, 6.6X12X1.6	32
62	206-00140	SQUARE PLUG 50.8	2	126	202-00675	CAP, ALUMINUM 32	4
63	206-00180	PLUG, 76.2*50.8	4	127	202-00674	SCREW, 10-32X3.2	8
64	206-00102	PLUG 32 - KPS	4	131	206-00139	SQUARE PLUG 50*25	2
65	206-00141	BIG PLUG 25.4 KPS-2050/1850/1550	6	#	202-00679	BOLT PACK, KF-1860 (1)	1
66	206-00142	NYLON STOPPER	1	#	202-00680	BOLT PACK, KF-1860 (2)	1

KEYS FITNESS PRODUCTS, L.P. LIFETIME WARRANTY



This Warranty applies in the United States and Canada to products manufactured or distributed by Keys Fitness Products, LP (“Keys”) under the KEYS brand name. The warranty is non-transferable and valid only to the original purchaser.

Keys warrants that the Product you have purchased for non-commercial, personal, family, or household use from Keys or from an authorized Keys reseller is free from defects in materials or workmanship under normal use during the warranty period. Your sales receipt, showing the date of purchase of the Product, is your proof of purchase. This warranty only extends to you, the original purchaser. It is not transferable to anyone who subsequently purchases or acquires the Product from you. This Warranty becomes VALID ONLY if the product is purchased through a Keys Fitness

authorized dealer unless otherwise authorized by Keys Fitness in writing and must be assembled / installed according to the instructions included with the Product.

In a light institutional setting, Keys will extend a one year limited warranty to the original purchaser.

During the warranty period Keys will repair or replace (at Keys' option) the product if it becomes defective, malfunctions, or otherwise fails to conform with this Warranty under normal use. In repairing the Product, Keys may replace defective parts with new or, at the option of Keys, serviceable used parts that are equivalent to new parts in performance. All exchanged parts and Products replaced under this warranty will become the property of Keys. Keys reserves the right to change manufacturers of any part to cover any existing warranty.

This warranty DOES NOT COVER shipping charges, export taxes, custom duties and taxes, or any other charges associated with transportation of the parts or Product. To obtain warranty service, you must contact a Keys authorized retailer, service technician or Keys Fitness at our phone number located in this manual. Any parts determined to be defective must be returned to Keys to obtain warranty service. You must prepay any shipping charges, export taxes, custom duties and taxes, or any other charges associated with transportation of the parts or Product. In addition, you are responsible for insuring any parts or Product shipped or returned. You assume the risk of loss during shipment. You must present Keys with proof-of-purchase documents (including the date of purchase). Any evidence of alteration, erasure or forgery of proof-of-purchase documents will be cause to void this Warranty.

This Warranty does not extend to any product not purchased from Keys or from an authorized Keys reseller. This Limited Warranty does not extend to any Product that has been damaged or rendered defective; (a) as a result of accident, misuse, or abuse; (b) by the use of parts not manufactured or sold by Keys; (c) by modification of the Product : (d) operation on incorrect power supplies; or (e) as a result of service by anyone other than Keys, or an authorized Keys warranty service provider. Product on which the serial number has been defaced or removed is not eligible for warranty service. Should any Product submitted for warranty service be found ineligible, an estimate of repair cost will be furnished and the repair will be made if requested by you upon Keys' receipt of payment or acceptable arrangements for payment.

EXCEPT AS EXPRESSLY SET FORTH IN THIS WARRANTY, KEYS MAKES NO OTHER WARRANTIES, EXPRESSED OR IMPLIED, INCLUDING ANY IMPLIED WARRANTIES OF MERCHANTABILITY AND FITNESS FOR A PARTICULAR PURPOSE. KEYS EXPRESSLY DISCLAIMS ALL WARRANTIES NOT STATED IN THIS LIMITED WARRANTY. ANY IMPLIED WARRANTIES THAT MAY BE IMPOSED BY LAW ARE LIMITED TO THE TERMS OF THIS LIMITED WARRANTY. NEITHER KEYS NOR ANY OF ITS AFFILIATES SHALL BE RESPONSIBLE FOR INCIDENTAL OR CONSEQUENTIAL DAMAGES. SOME STATES DO NOT ALLOW LIMITATIONS ON HOW LONG AN IMPLIED WARRANTY LASTS OR THE EXCLUSION OR LIMITATION OF INCIDENTAL OR CONSEQUENTIAL DAMAGES, SO THE ABOVE LIMITATIONS OR EXCLUSION MAY NOT APPLY TO YOU. This Limited Warranty gives you specific legal rights and you may also have other rights that may vary from state to state. This is the only express warranty applicable to Keys-branded products. Keys neither assumes nor authorizes anyone to assume for it any other express warranty.

PLEASE SEND IN THE INCLUDED WARRANTY CARD OR REGISTER ON-LINE AT www.keysfitness.com WITHIN TEN (10) DAYS OF PURCHASE TO REGISTER YOUR UNIT WITH KEYS FITNESS PRODUCTS, LP. MAIL WARRANTY CARD TO: KEYS FITNESS PRODUCTS, PO BOX 551239, DALLAS, TX 75355



Keys Fitness Products, L.P.
4009 Distribution Drive, Suite 250
Garland, Texas 75041
Customer Service: 1-888-380-0482